



perfect in sensors.

## Sensors and Encoders for Angle and Inclination



# POSIROT®

Magnetic Angle Sensors

# POSIROT®

Magnetic Encoders

# POSITILT®

Inclinometers



# POSIROT® / POSITILT®

## Angle Sensors, Encoders, Inclinometers

### Contents



Contents	Page
<b>Model Selection Guide for POSIROT® and POSITILT® - Sensors / POSIROT® - Magn. Incremental Encoders</b>	<b>4/5</b>
<b>POSIROT® - Magnetic angle sensors and encoders</b>	
<b>PRAS20</b> Magnetic angle sensor, external magnet, with analog output	6
<b>PRAS21</b> Magnetic angle sensor, external magnet, with voltage output	8
<b>PRAS27</b> Magnetic angle sensor, external magnet, with analog output	10
<b>PRDS27</b> Magnetic angle encoder, external magnet, with CANopen output	11
<b>PRAS1</b> Magnetic angle sensor, external magnet, with analog output	14
<b>PRDS1</b> Magnetic angle encoder, external magnet, with incremental or SSI output	15/16
<b>PRAS2</b> Magnetic angle sensor, external magnet, with analog output	18
<b>PRDS2</b> Magnetic angle encoder, external magnet, with incremental or SSI output	19/20
<b>PRDS2</b> Magnetic angle encoder, external magnet, with CANopen output	21
<b>PRAS2EX</b> Magnetic angle sensor, external magnet, with analog output, Dust-Ex-proof	24
<b>PRAS3</b> Magnetic angle sensor, solid or hollow shaft, with analog output	26
<b>PRDS3</b> Magnetic angle encoder, with incremental or SSI output	27/28
<b>PRDS3</b> Magnetic angle encoder, with CANopen output	29
<b>PRAS3EX</b> Magnetic angle sensor, external magnet, with analog output, Dust-Ex-proof	32
<b>PRAS5</b> Magnetic angle sensor, solid shaft or non-contact, with analog output	34
<b>PRDS5</b> Magnetic angle encoder, with incremental or SSI output	35/36
<b>PRDS5</b> Magnetic angle encoder, with CANopen output	37
<b>PRAS5EX</b> Magnetic angle sensor, external magnet, with analog output, Dust-Ex-proof	42
<b>Output specifications for POSIROT® angle sensors</b>	46
<b>Output signal for magnetic angle sensors</b>	52
<b>Accessories POSIROT® - Position magnets</b>	53
<b>Accessories POSIROT® - Mounting plates</b>	56
<b>POSIROT® - Magnetic incremental encoders</b>	
<b>PMIS4 / PMIR5</b> Magnetic incremental encoder	58
<b>PMIS4 / PMIR7(N)</b> Magnetic incremental encoder	64
<b>POSITILT® - Inclinometers</b>	
<b>PTAM27</b> Universal Inclinator with mit analog output	68
<b>PTDM27</b> Universal Inclinator with CANopen output	69
<b>PTAM2</b> Robust Inclinator with mit analog output	72
<b>PTDM2</b> Robust Inclinator with CANopen output	73
<b>PTAM2EX</b> Robust Inclinator with mit analog output, Dust-Ex-proof	76
<b>PTAM5</b> Extremely robust Inclinator with mit analog output	78
<b>PTDM5</b> Extremely robust Inclinator with CANopen output	79
<b>PTAM5EX</b> Extremely robust Inclinator with mit analog output, Dust-Ex-proof	82
<b>Output specifications for POSITILT® Inclinometers</b>	84
<b>Accessories POSITILT® - Mounting plates</b>	87
<b>Characteristic of the linear output</b>	88
<b>Connector cables für POSIROT® / POSITILT®</b>	90

---

# POSIROT<sup>®</sup> / POSITILT<sup>®</sup>

## Angle Sensors, Encoders, InclInometers

### Contents

---



Contents	Page
<b>PRODIS<sup>®</sup> - Digital process meters</b>	
<b>PRODIS-ADC</b> Digital process meter for analog sensors	92
<b>PRODIS-INC</b> Digital process meter for incremental sensors	94
<b>PRODIS-SSI</b> Digital process meter for sensors with SSI output	96
<b>The company and the products</b>	100
<b>Available ASM product catalogs</b>	101
<b>Protection classes according to EN-60529</b>	102

The information presented in this catalog does not form part of any quotation or contract, is believed to be accurate and reliable and may be changed without notice. No liability will be accepted by ASM for any consequence of its use. Publication thereof does not convey nor imply any license under patent or industrial or intellectual property rights.

Applications that are described herein for any of these products are for illustrative purpose only. ASM makes no representation or warranty that such applications will be suitable for the specified use without further testing or modification.

# POSIROT®

## Angle Sensors, Encoder Selection Guide



Model	PRAS20		PRAS21		PRAS27		PRDS27		PRAS1		PRDS1		PRAS2		PRDS2		PRAS3		PRDS3		PRAS5		PRDS5	
	Data sheet at page ...	6	8	10	11	14	15/16	18	19/20	26	28/29	34	35/37											
Measurement range	A	A	A	D	A	D	A	D	A	D	A	D	A	D	A	D	A	D	A	D	A	D	A	D
0° - 360°	•	•	•	•	•	•	•	•	•	•	•	•	•	•	•	•	•	•	•	•	•	•	•	•
<b>Analog outputs, absolute</b>																								
Voltage 0.5 ... 10 V	•	•	•		•		•		•		•		•		•		•		•		•		•	
Voltage 0.5 ... 4.5 V	•	•	•		•		•		•		•		•		•		•		•		•		•	
Current 4 ... 20 mA	•	•	•		•		•		•		•		•		•		•		•		•		•	
Redundant version (optional)				•																				
<b>Digital outputs, absolute</b>																								
SSI - RSSI5V, RSSI24V							•						•								•			
CANopen				•									•								•			
CAN SAE J1939				•									•								•			
<b>Digital outputs, incremental</b>																								
RS5V(F), RS24V (F)								•					•							•				•
HT24V(F)								•					•							•				•
Linearity (standard)	±0,5%		±0,5%		±1°		±0,3%		±1°		±0,3%		±1°		±0,3%		±1°		±0,3%		±1°		±0,3%	
Protection class	IP60		IP67		IP67 (IP69K)		IP67 (IP69K)		IP67 (IP69K)		IP67 (IP69K)		IP67 (IP69K)		IP67 (IP69K)		IP67 (IP69K)		IP67 (IP69K)		IP67 (IP69K)		IP67 (IP69K)	

# POSITILT® - Inclinometers




## Selection Guide

Dust-Ex-proof versions  
coming soon!



Model	PTAM27		PTDM27		PTAM2		PTDM2		PTAM5		PTDM5		PTAM2EX		PTAM5EX	
	Data sheet at page ...	68	69	72	73	78	79	76	82							
Measurement range	A	D	A	D	A	D	A	A	A	D	A	A	A	A	A	
1 axis ±180°	•	•	•	•	•	•	•	•	•	•	•	•	•	•	•	
2 axes ±60°		•		•		•		•		•		•		•	•	
2 axes ±180°	•		•		•											
<b>Analog outputs, absolute</b>																
Voltage 0.5 ... 10 V	•		•		•		•		•		•		•		•	
Voltage 0.5 ... 4.5 V	•		•		•		•		•		•		•		•	
Current 4 ... 20 mA	•		•		•		•		•		•		•		•	
<b>Digital outputs, absolute</b>																
CANopen		•		•		•		•		•		•		•		•
CAN SAE J1939		•		•		•		•		•		•		•		•
Linearity (standard)	±0.5°		±0.5°		±0.5°		±0.5°		±0.5°		±0.5°		±0.5°		±0.5°	
Protection class	IP67		IP67 / IP69K		IP67 / IP69K		IP67 / IP69K (IP68)		IP65		IP65		IP65		IP65	

# POSIROT® Angle Sensors - Dust-EX-proof Selection Guide





Selection features	Model			
		PRAS2EX	PRAS3EX	PRAS5EX
Data sheet at page ...		24	32	42
<b>Measurement range</b>		A	A	A
0° - 360°		•	•	•
<b>Analog outputs, absolute</b>				
Voltage 0.5 ... 10 V		•	•	•
Voltage 0.5 ... 4.5 V		•	•	•
Current 4 ... 20 mA		•	•	•
<b>Linearity (standard)</b>		±0.3%	±0.3%	±0.3%
<b>Protection class</b>		IP65	IP65	IP65

# POSIROT® Magnetic Incremental Encoders Selection Guide

Selection features	Model		
		PMIS4/PMIR5	PMIS4/PMIR7(N)
Data sheet at page ...		58	64
<b>Measurement range</b>			
0° - 360°		•	•
<b>Digital outputs, incremental</b>			
HTL		•	•
TTL		•	•
TTL24V		•	•
<b>Linearity (standard)</b>		±0.1°	±0.1°
<b>Protection class</b>		IP67	IP67

A = Analog output    D = Digital output

 = Instrumentation

 = Industry

 = Heavy Duty / Offshore

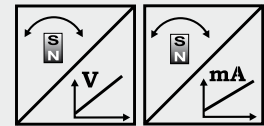
 = Dust-EX-proof (3D)

**POSIROT®**  
**PRAS20**  
**Magnetic Angle Sensor with Analog Output**



**Magnetic angle sensor 0 - 360°**

- Measurement range 0 - 360°
- Protection class IP60
- Analog output
- Non-contact with external position magnet
- Wear free
- Compact, low profile housing
- Other outputs available on request
- Redundant second channel as option



<b>Specifications</b>	Outputs	U2B U6 I1B	Tension 0.5 ... 10 V Tension 0.5 ... 4.5 V ratiometric Current 4 ... 20 mA (3 wire)
	Measurement range		0 ... 15° to 0 ... 360° in 15° increments
	Resolution		0.03 % (60 ... 360°); 0.1 % (15 ... 45°)
	Repeatability		±0.03 % (60 ... 360°); ±0.1 % (15 ... 45°)
	Linearity		±0.5 % f.s. (typ.)
	Rated distance sensor / magnet		Depending on the position magnet
	Protection class		IP60
	Signal characteristics		CW, CCW
	Material		Epoxy glass fiber, thermoplastic
	Connection		Single wire ETFE 3 x AWG21
	Mounting		Screws M4
	Shock		EN60068-2-27:1993, 100 g/11 ms, 100 shocks
Vibration		EN60068-2-6:1995, 20 g 10 Hz-2 kHz, 10 cycles	

**Order Code PRAS20**

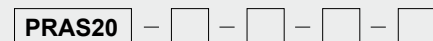
**Model name**  
 PRAS20

**Measurement range 15 ... 360° in 15° increments**  
 15 / 30 / 45 / ... / 345 / 360

**Output** (see page 46)  
 U2B = 0.5 ... 10 V  
 U6 = 0.5 ... 4.5 V ratiometric  
 I1B = 4 ... 20 mA, 3 wire

**Signal characteristics**  
 CW = Signal increasing CW  
 CCW = Signal increasing CCW

**Connection**  
 A300 = Single wire ETFE 3 x AWG21, length 11.8 in.



Order code position magnet (see accessories page 53/54)

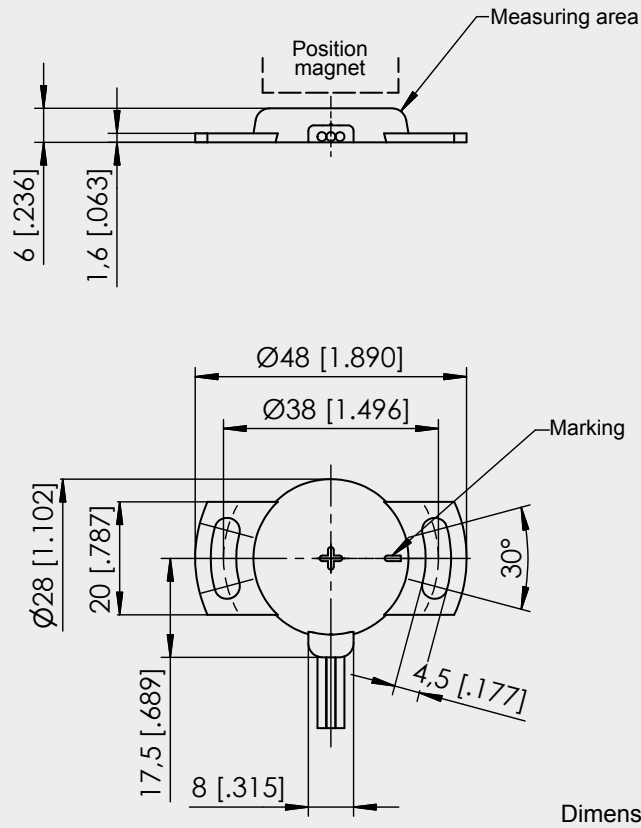
**PRMAG ...**

**Order example: PRAS20 - 360 - U2B - CW - A300**

**POSIROT®**  
**PRAS20**  
**Dimensions**

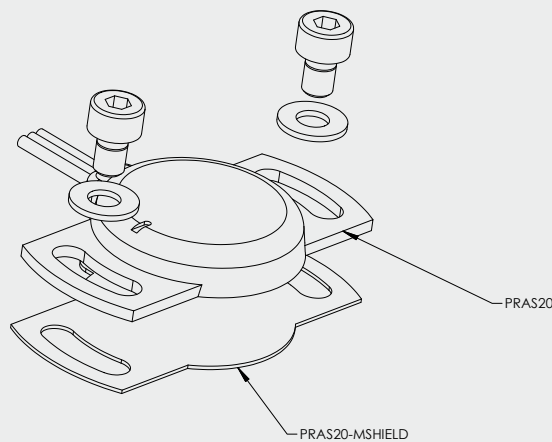


**Outline drawing**  
**PRAS20**



Weight without cable 8 g (0.28 oz) approx.  
Dimensions informative only.  
For guaranteed dimensions please consult factory.

**PRAS20**  
**Magnetic shield**

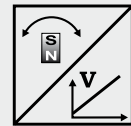


**POSIROT®**  
**PRAS21**  
**Magnetic Angle Sensor with Analog Output**



**Magnetic angle sensor 0 - 360°**

- Measurement range 0 - 360°
- Protection class IP60
- Analog output
- Compact, low profile housing
- Non-contact with external position magnet
- Wear free
- Other outputs available on request



<b>Specifications</b>	Outputs	U6	Voltage 0.5 ... 4.5 V ratiometric
	Measurement range		0 ... 15° to 0 ... 360° in 15° increments
	Resolution		0.03 % (60 ... 360°); 0.1 % (15 ... 45°)
	Repeatability		±0.03 % (60 ... 360°); ±0.1 % (15 ... 45°)
	Linearity		±0.5 % f.s. (typ.)
	Rated distance sensor / magnet		Depending on the position magnet
	Protection class		IP60
	Signal characteristics		CW, CCW
	Material		Epoxy glass fiber, thermoplastic
	Mounting		Screws M3
Connection		Single wire ETFE 3 x AWG21	
Shock		EN60068-2-27:1993, 100 g/11 ms, 100 shocks	
Vibration		EN60068-2-6:1995, 20 g 10 Hz-2 kHz, 10 cycles	

**Order Code PRAS21**

**Model name**

**Measurement range 15 ... 360° in 15° increments**

15 / 30 / 45 / ... / 345 / 360

**Output (see page 46)**

U6 = 0.5 ... 4.5 V ratiometric

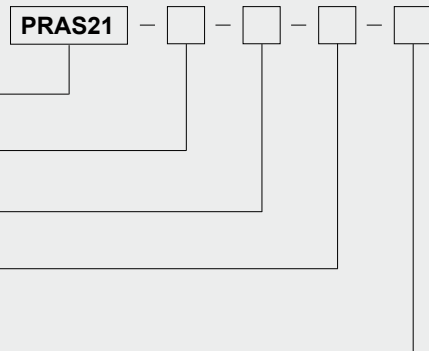
**Signal characteristics**

CW = Signal increasing CW

CCW = Signal increasing CCW

**Connection**

A300 = Single wire ETFE 3 x AWG21, length 11.8 in.



Order code position magnet (see accessories page 53/54)

**PRMAG ...**

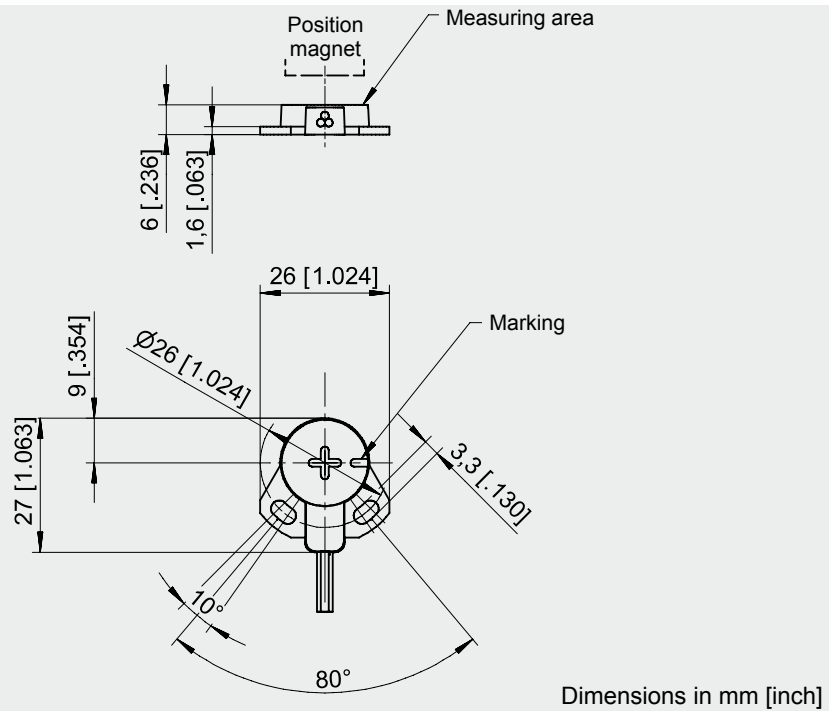
**Order example: PRAS21 - 360 - U6 - CW - A300**



**POSIROT®**  
**PRAS21**  
**Dimensions**

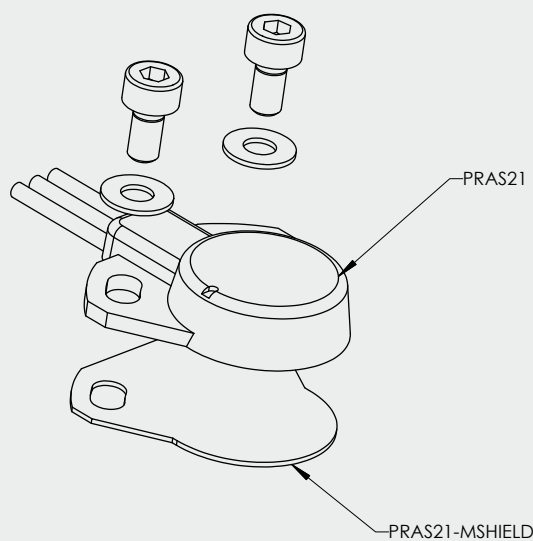


**Outline drawing**  
**PRAS21**



Weight without cable 5 g (0.18 oz.) approx.  
 Dimensions informative only.  
 For guaranteed dimensions please consult factory.

**PRAS21**  
**Magnetic shield**

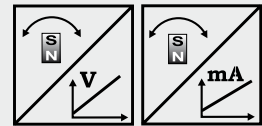


**POSIROT®**  
**PRAS27**  
**Magnetic Angle Sensor with Analog Output**



**Magnetic angle sensor 0 - 360°**

- Measurement range 0 to 360°
- Protection class IP67
- Analog output
- Material plastic
- Non-contact with external position magnet
- No wear
- High shock resistance
- Redundant second channel as option



Specifications	Outputs	U2/U2B	Tension 0.5 ... 10 V
		U6	
	I1/I1B		Current 4 ... 20 mA (3 wire)
Measurement range	0 ... 15° to 0 ... 360° in 15° increments		
Resolution	0.03 % (60 ... 360°); 0.1 % (15 ... 45°)		
Repeatability	±0.03 % (60 ... 360°); ±0.1 % (15 ... 45°)		
Linearity	±0.5 % f.s. (typ.)		
Rated distance sensor / magnet	Depending on the position magnet		
Protection class	IP67		
Signal characteristics	CW, CCW		
Material	Plastic		
Connection	Cable 5 x AWG24		
Shock	EN60068-2-27:1993, 100 g/11 ms, 100 shocks		
Vibration	EN60068-2-6:1995, 20 g 10 Hz-2 kHz, 10 cycles		

**Order Code PRAS27**

**Model name**

**Measurement range 15 ... 360° in 15° increments**

15 / 30 / 45 / ... / 345 / 360

**Output** (see page 46)

U2/U2B = 0.5 ... 10 V

U6 = 0.5 ... 4.5 V ratiometric

I1/I1B = 4 ... 20 mA, 3 wire

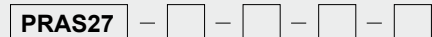
**Signal characteristics**

CW = Signal increasing CW

CCW = Signal increasing CCW

**Connection**

KAB2M = Cable, standard length 6.56 ft. (2 m)



**Order code position magnet** (see accessories page 53/54)

**PRMAG ...**

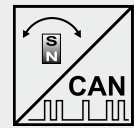
**Order example: PRAS27 - 360 - U2 - CW - KAB2M**

**POSIROT®**  
**PRDS27**  
**Magnetic Angle Sensor with CANopen Output**



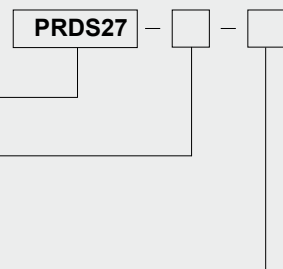
**Magnetic angle sensor 0 - 360°**

- Measurement range 0 to 360°
- Protection class IP67
- CANopen output
- Material plastic
- Non-contact with external position magnet
- No wear
- High shock resistance



<b>Specifications</b>	Output	CANopen-Bus (Encoder CiA 406 V 3.2 )
	Measurement range	0 to 360°
	Resolution	0.05° max.
	Linearity	±1°
	Rated distance sensor / magnet	Depending on the position magnet
	Protection class	IP67
	Material	Plastic
	Connection	Cable 11.81 in., 5-pin socket M12
	Shock	EN60068-2-27:1993, 100 g/11 ms, 100 shocks
	Vibration	EN60068-2-6:1995, 20 g/10 Hz-2 kHz, 10 cycles
	EMC, Temperature	Refer to output specification

**Order Code PRDS27**



**Model name**

**Output** (see page 50/51)

- CANOP = CANopen
- CANJ1939 = CAN SAE J1939

**Connection**

KAB0,3M-M12/CAN = Cable, length 11.81 in. (0.3 m) with socket M12, 5 pin

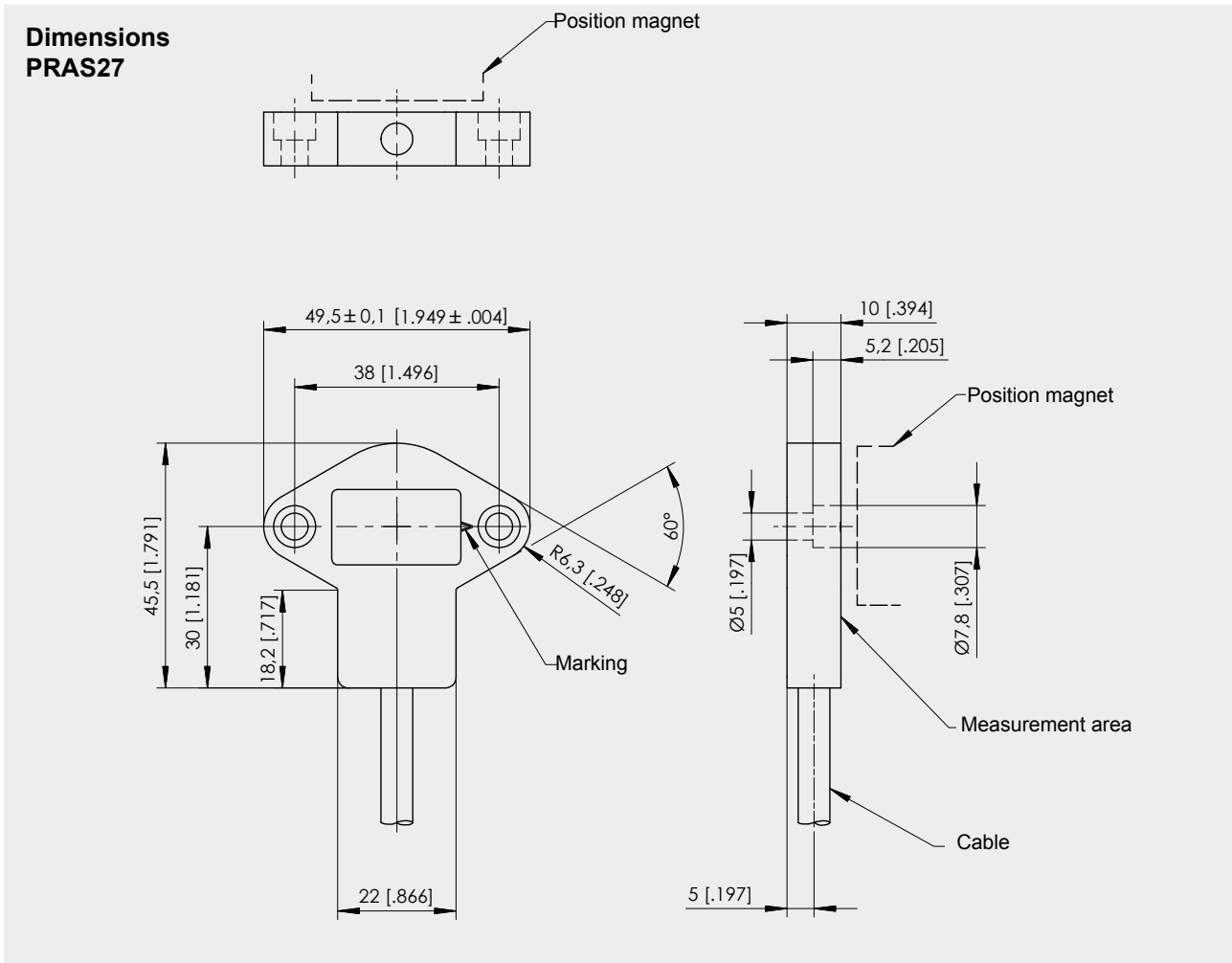
**Order code position magnet** (see accessories page 53/54)

**PRMAG ...**

**Order code connector cable** (see accessories page 91 )

**KAB - XM - M12/5F/G - M12/5M/G - CAN**

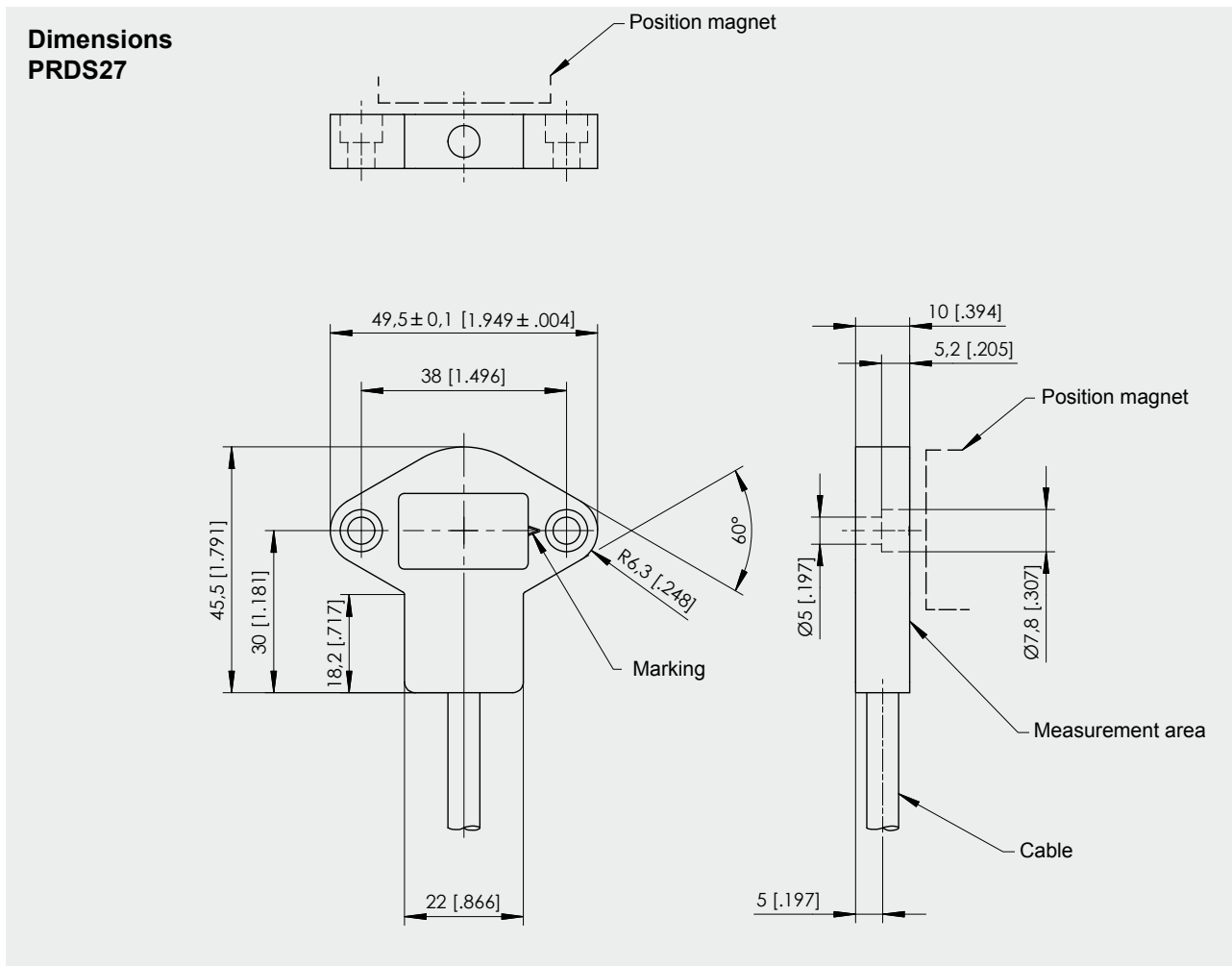
**Order example: PRDS27 - CANOP - KAB0,3M - M12/CAN**



Dimensions in mm [inch]

Dimensions informative only.

For guaranteed dimensions please consult factory.



Dimensions in mm [inch]

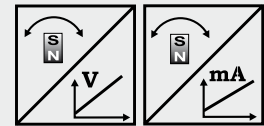
Dimensions informative only.  
 For guaranteed dimensions please consult factory.

**POSIROT®**  
**PRAS1**  
**Magnetic Angle Sensor with Analog Output**



**Magnetic angle sensor 0 - 360° in M12 housing**

- Measurement range 0 to 360°
- Protection class IP67 / IP69K
- Analog output
- Stainless steel housing
- Non-contact with external position magnet
- Wear free
- SIL in preparation



Specifications	Outputs	U6	Voltage: 0.5 ... 4.5 V ratiometric
		U2	
	I1		Current: 4 ... 20 mA, 3 wire
Measurement range			0 ... 15° to 0 ... 360° in 15° increments
Resolution			0.03 % (60 ... 360°); 0.1 % (15 ... 45°)
Repeatability			±0.03 % (60 ... 360°); ±0.1 % (15 ... 45°)
Linearity			±0.3 % f.s. (typ.)
Rated distance sensor / magnet			Depending on the position magnet
Protection class			IP67/IP69K (connector output with IP69K connector cable) IP67 (cable output)
Signal characteristics			CW, CCW
Material			Stainless steel
Mounting			M12 x 1
Shock			EN60068-2-27:1993, 100 g/11 ms, 100 shocks
Vibration			EN60068-2-6:1995, 20 g 10 Hz-2 kHz, 10 cycles

**Order Code PRAS1**

**Model name**

**Measurement range 15 ... 360° in increments of 15°**

15 / 30 / 45 / ... / 345 / 360

**Output** (see page 46)

U6 = 0.5 ... 4.5 V ratiometric

U2 = 0.5 ... 10 V

I1 = 4 ... 20 mA, 3 wire

**Signal characteristics**

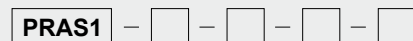
CW = Signal increasing CW

CCW = Signal increasing CCW

**Connection**

KAB2M = Cable, standard length 6.56 ft. (2 m), IP67

M12A5 = 5-pin socket M12 (compatible to 4-pin connector)



Order code position magnet (see accessories page 53/54)

**PRMAG ...**

Order code connector cable (see accessories page 90)

**KAB-2M-M12/4F/G-LITZE**

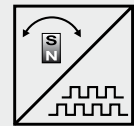
**Order Example: PRAS1 - 360 - I1 - CW - M12A5**

# POSIROT® PRDS1 Magnetic Angle Encoder with Incremental Output



## Magnetic angle encoder 0 - 360° in M12 housing

- Measurement range 0 to 360°
- Protection class IP67 / IP69K
- Incremental encoder output
- Stainless steel housing
- Non-contact with external position magnet
- Wear free



Specifications	Output	Incremental encoder outputs A, $\bar{A}$ , B, $\bar{B}$ , Z, $\bar{Z}$ , RS422 or HTL compatible
Measurement range	0 ... 360°	
Resolution	1 / 2 / 4 / 8 / 16 / 25 / 32 / 45 / 50 / 64 / 75 / 90 / 100 / 125 / 128 / 256 / 512 / 1024 pulses per revolution	
Linearity	$\pm 1^\circ$	
Rated distance sensor / magnet	Depending on the position magnet	
Max. revolutions (mechanically)	30,000 r.p.m.	
Protection class	IP67/IP69K (connector output with IP69K connector cable) IP67 (cable output)	
Max. output frequency	200 kHz (the quadrature counter of the subsequent circuit must be able to process >200 kHz)	
Material	Stainless steel	
Mounting	M12 x 1	
Shock	EN60068-2-27:1993, 100 g/11 ms, 100 shocks	
Vibration	EN60068-2-6:1995, 20 g 10 Hz-2 kHz, 10 cycles	

## Order Code PRDS1



**Model name**

### Resolution (pulses/revolution)

1 / 2 / 4 / 8 / 16 / 25 / 32 / 45 / 50 / 64 / 75 / 90 / 100 / 125 / 128 / 256 / 512 / 1024

### Max. pulse frequency (in kHz, standard 50 kHz)

50 / 200

### Output (see page 47/48)

RS5V = RS422 compatible output with excitation 5 V DC

RS24V = RS422 compatible output with excitation 10 ... 36 V DC

HT24V = HTL compatible output with excitation 18 ... 36 V DC

### Connection

KAB2M = Cable, standard length 6.56 ft. (2 m) (not with RS5V), IP67

M12A8 = 8-pin socket M12

Order code position magnet (see accessories page 53/54)

**PRMAG ...**

Order code connector cable (see accessories page 90)

**KAB-2M-M12/8F/G-LITZE**

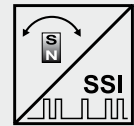
**Order example: PRDS1 - 1024 - 50KHZ - RS5V - M12A8**

**POSIROT®**  
**PRDS1**  
**Magnetic Angle Encoder with SSI Output**



**Magnetic angle encoder 0 - 360° in M12 housing**

- Measurement range 0 to 360°
- Protection class IP67 / IP69K
- Synchronous serial output (SSI)
- Stainless steel housing
- Non-contact with external position magnet
- Wear free



Specifications	Output	Synchronous serial (SSI)
	Measurement range	0 ... 360°
	Resolution	12 bit (4096 steps) per revolution
	Repeatability	±0.1° (typ.)
	Linearity	±1° (typ.)
	Rated distance sensor / magnet	Depending on the position magnet
	Max. revolutions (mech.)	30,000 r.p.m.
	Protection class	IP67/IP69K (connector output with IP69K connector cable) IP67 (cable output)
	Code characteristics	CW, CCW
	Material	Stainless steel
	Mounting	M12 x 1
Shock	EN60068-2-27:1993, 100 g/11 ms, 100 shocks	
Vibration	EN60068-2-6:1995, 20 g 10 Hz-2 kHz, 10 cycles	

**Order Code PRDS1**

**Model name**

**Output** (see page 49)

RSSI5V = Synchronous serial output with excitation 5 V DC

RSSI24V = Synchronous serial output with excitation 10 ... 36 V DC

**Code characteristics**

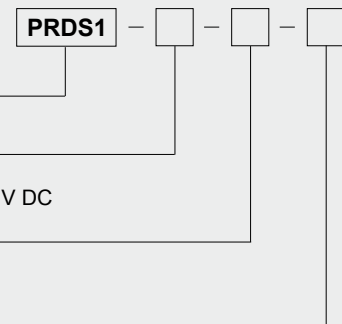
CW = Code increasing CW

CCW = Code increasing CCW

**Connection**

KAB2M = Cable, standard length 6.56 ft. (2 m), IP67/IP69K (not with RSSI5V)

M12A8 = 8 pin socket M12 axial



Order code position magnet (see accessories page 53/54)

**PRMAG ...**

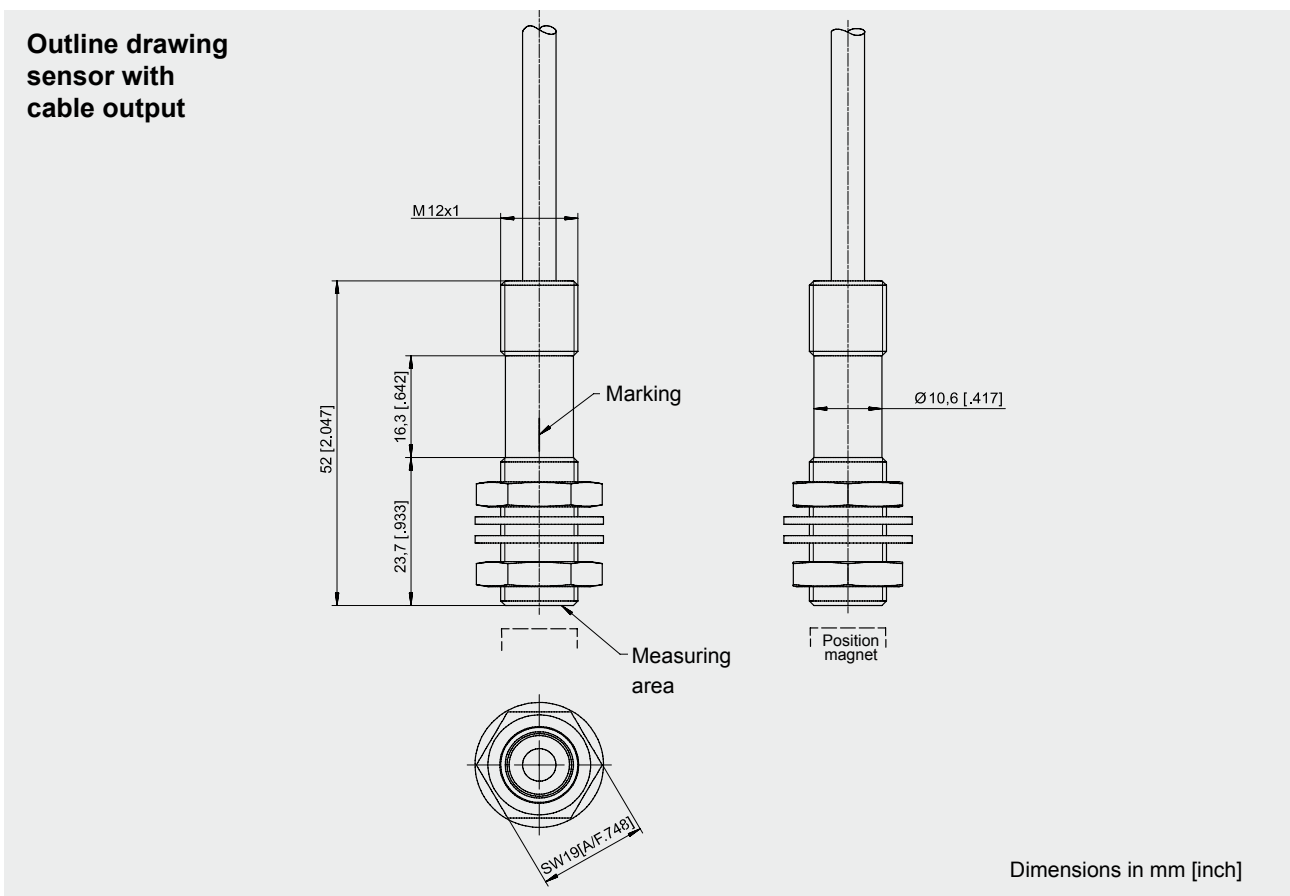
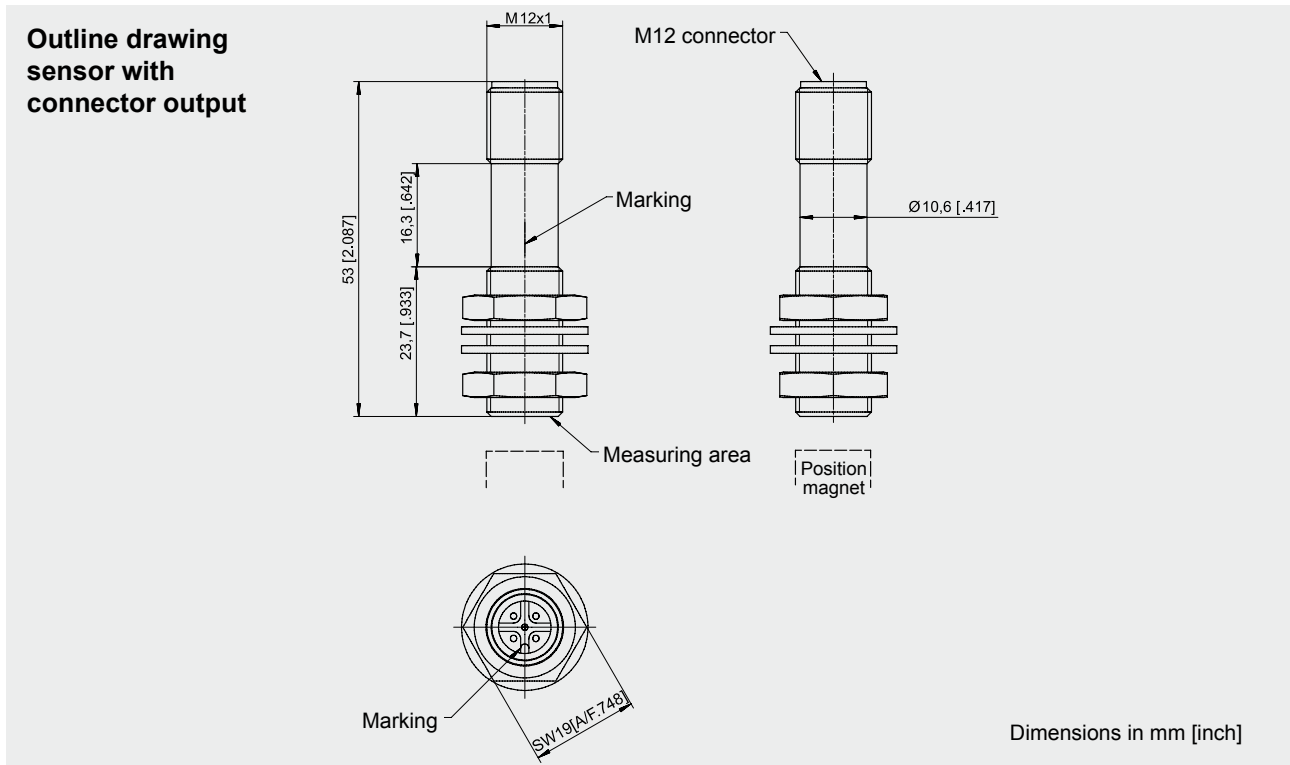
Order code connector cable (see accessories page 90)

**KAB-2M-M12/8F/G-LITZE**

**Order example: PRDS1 - RSSI5V - CW - M12A8**



**POSIROT®**  
**PRAS1/PRDS1**  
**Dimensions**



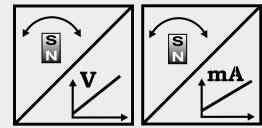
Weight without cable 35 g (1.23 oz.) approx.  
 Dimensions informative only.  
 For guaranteed dimensions please consult factory.

**POSIROT®**  
**PRAS2**  
**Magnetic Angle Sensor with Analog Output**



**Magnetic angle sensor 0 - 360 degrees in a flat housing with 1.42 in. diameter**

- Measurement range 0 to 360°
- Protection class IP67 / IP69K
- Analog output
- Flat housing – 0.79 in. thickness
- Non-contact with external position magnet
- Wear free
- Redundant second channel as option



Specifications	Outputs	U6	Voltage: 0.5 ... 4.5 V ratiometric
		U2	
	I1		Current: 4 ... 20 mA, 3 wire
Measurement range			0 ... 15° to 0 ... 360° in 15° increments
Resolution			0.03 % (60 ... 360°); 0.1 % (15 ... 45°)
Repeatability			±0.03 % (60 ... 360°); ±0.1 % (15 ... 45°)
Linearity			±0.3 % f.s. (typ.)
Rated distance sensor / magnet			Depending on the position magnet
Protection class			IP67/IP69K (connector output with IP69K connector cable) IP67 (cable output, option IP67/IP69K)
Signal characteristics			CW, CCW
Material			Aluminum
Mounting			Clamps, mounting plate
Shock			EN60068-2-27:1993, 100 g/11 ms, 100 shocks
Vibration			EN60068-2-6:1995, 20 g 10 Hz-2 kHz, 10 cycles

**Order Code PRAS2**

**Model name**

**Measurement range 15 ... 360° in steps of 15°**

15 / 30 / 45 / ... / 345 / 360

**Output (see page 46)**

U6 = 0.5 ... 4.5 V ratiometric

U2 = 0.5 ... 10 V

I1 = 4 ... 20 mA, 3 wire

**Signal characteristics**

CW = Signal increasing CW

CCW = Signal increasing CCW

**Connection**

KAB2M/KAB2M69K = Cable, standard length 6.56 ft. (2 m), IP67/IP69K

M12A5/M12R5 = 5-pin socket M12 axial/radial (compatible with 4-pin connector)



**Order code mounting clamps (set of 3 pieces)**

**PRPT-BFS1**

**Order code position magnet (see accessories page 53/54)**

**PRMAG ...**

**Order code connector cable (see accessories page 90)**

**KAB-2M-M12/4F/G-LITZE**

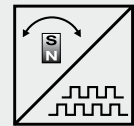
**Order example: PRAS2 - 360 - I1 - CW - KAB2M**

**POSIROT®**  
**PRDS2**  
**Magnetic Angle Encoder with Incremental Output**



**Magnetic angle encoder 0 - 360 degrees in a flat housing with 1.42 in. diameter**

- Measurement range 0 to 360°
- Protection class IP67 / IP69K
- Incremental encoder output
- Flat housing – 0.79 in. thickness
- Non-contact with external position magnet
- Wear free



Specifications	Output	Incremental encoder outputs A, $\bar{A}$ , B, $\bar{B}$ , Z, $\bar{Z}$ , RS422 or HTL compatible, filtered output
	Measurement range	0 ... 360°
	Resolution	256 or 1024 pulses per revolution
	Linearity	±1°
	Rated distance sensor / magnet	Depending on the position magnet
	Max. revolutions (mechanically)	30.000 per min
	Protection class	IP67/IP69K (connector output with IP69K connector cable) IP67 (cable output, option IP67/IP69K)
	Material	Aluminium
	Mounting	Clamps, mounting plate
	Shock	EN60068-2-27:1993, 100 g/11 ms, 100 shocks
	Vibration	EN60068-2-6:1995, 20 g 10 Hz-2 kHz, 10 cycles

**Order Code PRDS2**

**Model name**

**Resolution (pulses/revolution)**

256 / 1024

(other resolutions available on request)

**Output** (see page 47/48)

RS5VF = RS422 compatible,  $U_s = 5$  V DC, filtered output

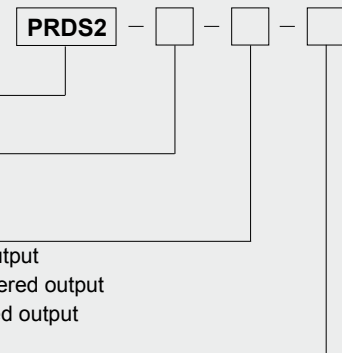
RS24VF = RS422 compatible,  $U_s = 10 \dots 36$  V DC, filtered output

HT24VF = HTL compatible,  $U_s = 18 \dots 36$  V DC, filtered output

**Connection**

KAB2M/KAB2M69K = Cable, standard length 6.56 ft. (2 m) (not with RS5VF), IP67/IP69K

M12A8/M12R8 = 8-pin socket M12 axial/radial



**Order code mounting clamps** (set of 3 pieces)

**PRPT-BFS1**

**Order code position magnet** (see accessories page 53/54)

**PRMAG ...**

**Order code connector cable** (see accessories page 90)

**KAB-2M-M12/8F/G-LITZE**

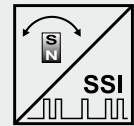
**Order example: PRDS2 - 1024 - RS24VF - M12A8**

**POSIROT®**  
**PRDS2**  
**Magnetic Angle Encoder with SSI Output**



**Magnetic angle encoder 0 - 360 degrees in a flat housing with 1.42 in. diameter**

- Measurement range 0 to 360°
- Protection class IP67 / IP69K
- Synchronous serial output (SSI)
- Flat housing – 0.79 in. thickness
- Non-contact with external position magnet
- Wear free



<b>Specifications</b>	Output	Synchronous serial (SSI)
	Measurement range	0 ... 360°
	Resolution	12 bit (4096 steps) per revolution
	Repeatability	±0.1° (typ.)
	Linearity	±1° (typ.)
	Rated distance sensor / magnet	Depending on the position magnet
	Max. revolutions	30,000 r.p.m.
	Protection class	IP67/IP69K (connector output with IP69K connector cable) IP67 (cable output, option IP67/IP69K)
	Code characteristics	CW, CCW
	Material	Aluminum
	Mounting	Clamps, mounting plate
	Shock	EN60068-2-27:1993, 100 g/11 ms, 100 shocks
	Vibration	EN60068-2-6:1995, 20 g 10 Hz-2 kHz, 10 cycles

**Order Code PRDS2**

**Model name**

**Output** (see page 49)

RSSI5V = Synchronous serial output with excitation 5 V DC

RSSI24V = Synchronous serial output with excitation 10 ... 36 V DC

**Code characteristics**

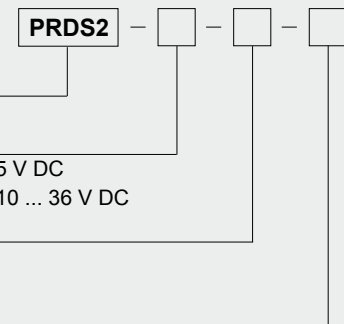
CW = Code increasing CW

CCW = Code increasing CCW

**Connection**

KAB2M/KAB2M69K = Cable, standard length 6.56 ft. (2 m) (not with RSSI5V) , IP67/IP69K

M12A8/M12R8 = 8-pin socket M12 axial/radial



**Order code mounting clamps** (set of 3 pieces)

**PRPT-BFS1**

**Order code position magnet** (see accessories page 53/54)

**PRMAG ...**

**Order code connector cable** (see accessories page 90)

**KAB-2M-M12/8F/G-LITZE**

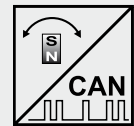
**Order example: PRDS2 - RSSI24V - CW - KAB2M**

**POSIROT®**  
**PRDS2**  
**Magnetic Angle Encoder with CANopen output**



**Magnetic angle encoder 0 - 360° in a flat housing with 1.42 in. dia.**

- Measurement range 0 to 360°
- Protection class IP67 / IP69K
- CANopen output
- Flat housing – 0.79 in. thickness
- Non-contact with external position magnet
- Wear free



Specifications		
Output		CANopen-Bus (Encoder CiA 406 V 3.2)
Measurement range		0 to 360°
Resolution		0.05° max.
Linearity		±1° (typ.)
Protection class		IP67/IP69K (connector output with IP69K connector cable); IP67 (cable output, option IP67/IP69K)
Material		Aluminum
Connection		5-pin socket M12, radial or axial
Shock		EN60068-2-27:1993, 100 g/11 ms, 100 shocks
Vibration		EN60068-2-6:1995, 20 g/10 Hz-2 kHz, 10 cycles
EMC, Temperature		Refer to output specification

**Order Code PRDS2**

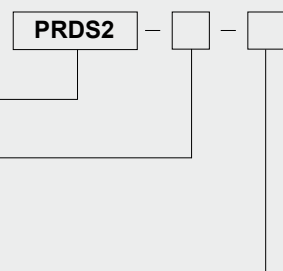
**Model name**

**Output** (see page 50/51)

- CANOP = CANopen
- CANJ1939 = CAN SAE J1939

**Connection**

- M12R5/CAN = 5-pin socket M12 radial
- M12A5/CAN = 5-pin socket M12 axial



Order code connector cable (see accessories page 91)

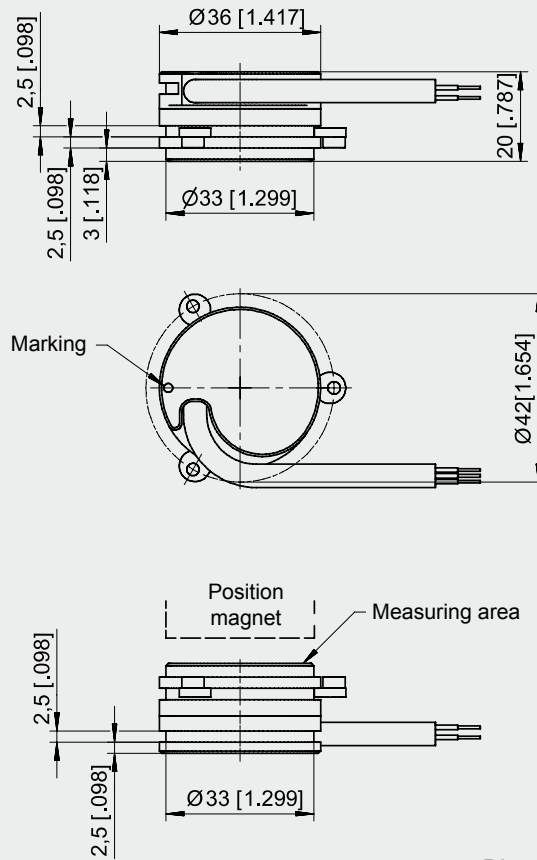
**KAB - XM - M12/5F/G - M12/5M/G - CAN**

**Order example: PRDS2 - CANOP - M12A5/CAN**

**POSIROT®**  
**PRAS2/PRDS2**  
**Dimensions**



**Outline drawing  
sensor with cable  
output**



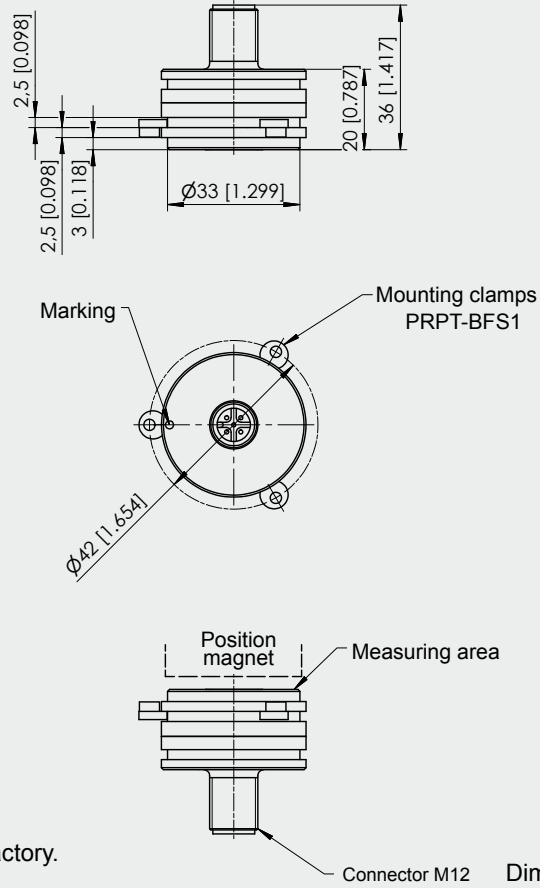
Dimensions in mm [inch]

Weight without cable 40 g (1.4 oz.) approx.  
Dimensions informative only.  
For guaranteed dimensions please consult factory.

**POSIROT®**  
**PRAS2/PRDS2**  
**Dimensions**



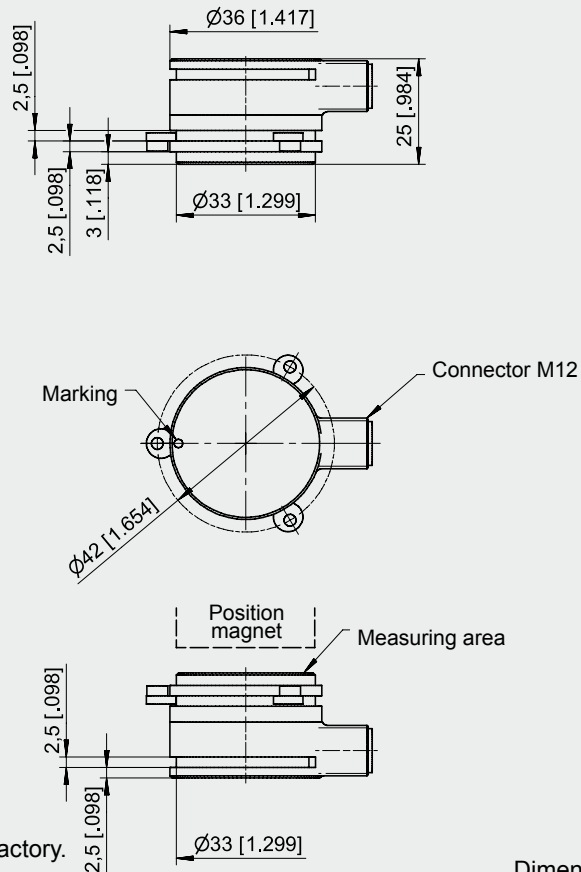
**Outline drawing  
 sensor M12 axial**



Weight without cable 50 g (1.76 oz.) approx.  
 Dimensions informative only.  
 For guaranteed dimensions please consult factory.

Dimensions in mm [inch]

**Outline drawing  
 sensor M12 radial**



Weight without cable 50 g (1.76 oz.) approx.  
 Dimensions informative only.  
 For guaranteed dimensions please consult factory.

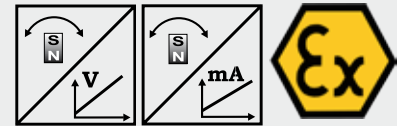
Dimensions in mm [inch]

# POSIROT® PRAS2EX - Dust-Ex-proof Magnetic Angle Sensor with Analog Output



**Magnetic angle sensor 0 - 360° in a flat housing with 1.42 in. dia.**

- Measurement range 0 to 360°
- Protection class IP65
- Analog output
- Flat housing – 0.76 in. thickness
- Non-contact with external position magnet
- Dust-Ex-proof: II 3D Ex tD A22 IP65 T80°C X
- Wear free
- SIL in preparation



Specifications	Outputs	U6	Voltage: 0.5 ... 4.5 V ratiometric
		U2	
	I1		Current: 4 ... 20 mA, 3 wire
Measurement range			0 ... 15° to 0 ... 360° in increments of 15°
Resolution			0.03 % (60 ... 360); 0.1 % (15 ... 45°)
Repeatability			±0.03 % (60 ... 360°); ±0.1 % (15 ... 45°)
Linearity			±0.3 % f.s. (typ.)
Rated distance sensor / magnet			Depending on the position magnet
Protection class			IP65
Signal characteristics			CW, CCW
Material			Stainless steel
Mounting			Clamps, mounting plate
Temperature			-4 to +104 °F
Shock			EN60068-2-27:1993, 100 g/11 ms, 100 shocks
Vibration			EN60068-2-6:1995, 20 g 10 Hz-2 kHz, 10 cycles
Dust-Ex-proof standard			DIN EN61241-0, DIN EN61241-1

## Order Code PRAS2EX

### Model name

### Measurement range 15 ... 360° in increments of 15°

15 / 30 / 45 / ... / 345 / 360

### Output (see page 46)

U6 = 0.5 ... 4.5 V ratiometric

U2 = 0.5 ... 10 V

I1 = 4 ... 20 mA, 3 wire

### Signal characteristics

CW = Signal increasing CW

CCW = Signal increasing CCW

### Connection

M12A5 = 5-pin socket M12 axial (compatible with 4-pin connector)

M12R5 = 5-pin socket M12 radial (compatible with 4-pin connector)

PRAS2EX - [ ] - [ ] - [ ] - [ ]

**Dust-Ex-proof explanation** (see page 55)

**Order code mounting clamps** (set of 3 pieces)

**PRPT-BFS1**

**Order code position magnet** (see accessories page 55)

**PRMAG ...**

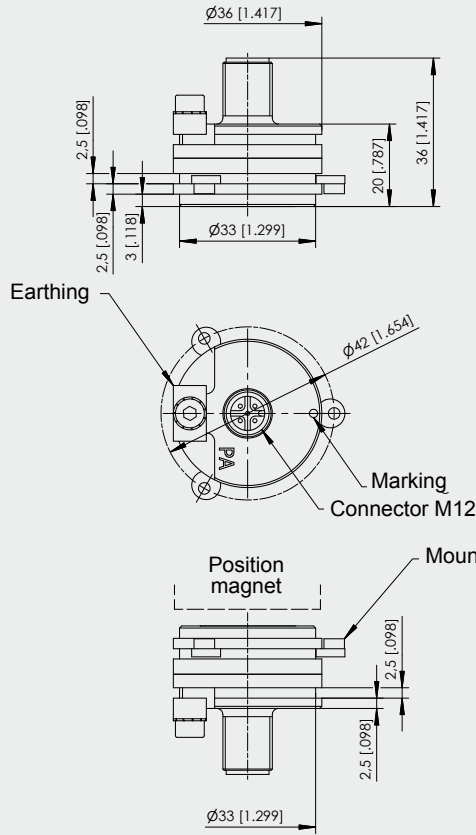
**Order example: PRAS2EX - 360 - I1 - CW - M12A5**



**POSIROT®**  
**PRAS2EX - Dust-Ex-proof**  
**Dimensions**



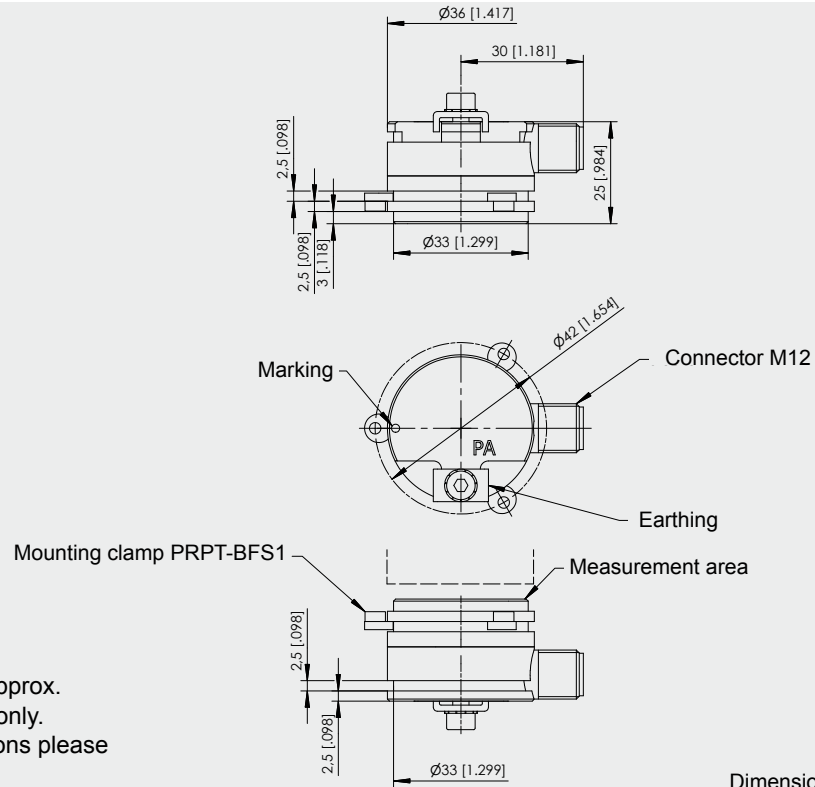
**Outline drawing  
 sensor M12 axial**



Weight 110 g (3.7 oz.) approx.  
 Dimensions informative only.  
 For guaranteed dimensions please  
 consult factory.

Dimensions in mm [inch]

**Outline drawing  
 sensor M12 radial**



Weight 140 g (4.7 oz.) approx.  
 Dimensions informative only.  
 For guaranteed dimensions please  
 consult factory.

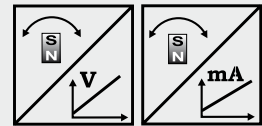
Dimensions in mm [inch]

**POSIROT®**  
**PRAS3**  
**Magnetic Angle Sensor with Analog Output**



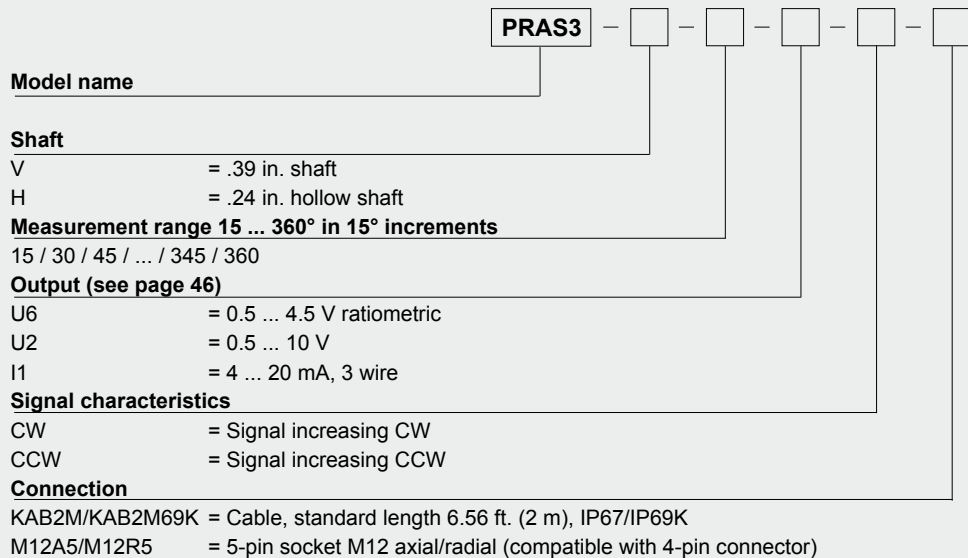
**Magnetic angle sensor 0 - 360° in a 1.42 in. dia. housing**

- Measurement range 0 - 360°
- Protection class IP67 / IP69K
- Analog output
- With .39 shaft or .24 hollow shaft
- Magnetic measurement principle
- Redundant second channel as option



Specifications	Outputs	U6	Voltage: 0.5 ... 4.5 V ratiometric
		U2	
	I1		Current: 4 ... 20 mA, 3 wire
Measurement range			0 ... 15° to 0 ... 360°, in 15° increments
Resolution			0.03 % (60 ... 360); 0.1 % (15 ... 45°)
Repeatability			±0.03 % (60 ... 360°); ±0.1 % (15 ... 45°)
Linearity			±0.3 % f.s. (typ.)
Protection class			IP67/IP69K (connector output with IP69K connector cable) IP67 (cable output, option IP67/IP69K)
Signal characteristics			CW, CCW
Material			Aluminum
Mounting			Clamps, mounting plate
Shock			EN60068-2-27:1993, 100 g/11 ms, 100 shocks
Vibration			EN60068-2-6:1995, 20 g 10 Hz-2 kHz, 10 cycles
Life cycle of bearings			100 x 10 <sup>6</sup> revolutions (<1500 r.p.m.)
Revolutions per minute (mech.)			Max. 10,000 r.p.m.
Allowable shaft load			100 N radial, 100 N axial

**Order Code PRAS3**



Order code mounting clamps (set of 3 pieces)

**PRPT-BFS1**

Order code connector cable (see accessories page 90)

**KAB-2M-M12/4F/G-LITZE**

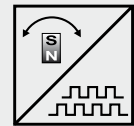
**Order example: PRAS3 - V - 360 - I1 - CW - KAB2M**

**POSIROT®**  
**PRDS3**  
**Magnetic Angle Encoder with Incremental Output**



**Magnetic angle encoder 0 - 360° in a 1.42 in. dia. housing**

- Measurement range 0 - 360°+
- Protection class IP67 / IP69K
- Incremental encoder output
- With .39 shaft or .24 hollow shaft
- Magnetic measurement principle



Specifications		
Output	Incremental encoder outputs A, $\bar{A}$ , B, $\bar{B}$ , Z, $\bar{Z}$ , RS422 or HTL compatible, filtered output	
Measurement range	0 ... 360°	
Resolution	256 or 1024 pulses per revolution	
Linearity	±1°	
Protection class	IP67/IP69K (connector output with IP69K connector cable) IP67 (cable output, option IP67/IP69K)	
Material	Aluminum	
Mounting	Clamps, mounting plate	
Shock	EN60068-2-27:1993, 100 g/11 ms, 100 shocks	
Vibration	EN60068-2-6:1995, 20 g 10 Hz-2 kHz, 10 cycles	
Life cycle of bearings	100 x 10 <sup>6</sup> revolutions (<1500 r.p.m.)	
Revolutions per minute (mech.)	Max. 10,000 r.p.m.	
Allowable shaft load	100 N radial, 100 N axial	

**Order Code PRDS3**

**Model name**

**Shaft**

- V = .39 in. shaft
- H = .24 in. hollow shaft

**Resolution (pulses/revolution)**

256 / 1024  
 (other resolutions available on request)

**Output** (see page 47/48)

- RS5VF = RS422 compatible, U<sub>s</sub> = 5 V DC, filtered output
- RS24VF = RS422 compatible, U<sub>s</sub> = 10 ... 36 V DC, filtered output
- HT24VF = HTL compatible, U<sub>s</sub> = 18 ... 36 V DC, filtered output

**Connection**

- KAB2M/KAB2M69K = Cable, standard length 6.56 ft. (2 m) (not with RS5VF), IP67/IP69K
- M12A8/M12R8 = 8-pin socket M12 axial/radial



**Order code mounting clamps** (set of 3 pieces)

**PRPT-BFS1**

**Order code connector cable** (see accessories page 90)

**KAB-2M-M12/8F/G-LITZE**

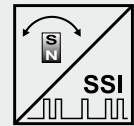
**Order example: PRDS3 - V - 1024 - HT24VF - KAB2M**

**POSIROT®**  
**PRDS3**  
**Magnetic Angle Encoder with SSI Output**



**Magnetic angle encoder 0 - 360 degrees in a 1.42 in. dia. housing**

- Measurement range 0 - 360°
- Protection class IP67 / IP69K
- Synchronous serial output (SSI)
- With .39 shaft or .24 hollow shaft
- Magnetic measurement principle



<b>Specifications</b>	Output	Synchronous serial (SSI)
	Measurement range	0 ... 360°
	Resolution	12 bit (4096 steps) per revolution
	Repeatability	±0.1° (typ.)
	Linearity	±1° (typ.)
	Protection class	IP67/IP69K (connector output with IP69K connector cable) IP67 (cable output, option IP67/IP69K)
	Code characteristics	CW, CCW
	Material	Aluminum
	Mounting	Clamps, mounting plate
	Shock	EN60068-2-27:1993, 100 g/11 ms, 100 shocks
	Vibration	EN60068-2-6:1995, 20 g 10 Hz-2 kHz, 10 cycles
	Life cycle of bearings	100 x 10 <sup>6</sup> revolutions (<1500 r.p.m.)
	Revolutions per minute (mech.)	Max. 10,000 r.p.m.
	Allowable shaft load	100 N radial, 100 N axial

**Order Code PRDS3**



**Model name**

**Shaft**

- V = .39 in. shaft
- H = .24 in. hollow shaft

**Output** (see page 49)

- RSSI5V = Synchronous serial output with excitation 5 V DC
- RSSI24V = Synchronous serial output with excitation 10 ... 36 V DC

**Code characteristics**

- CW = Code increasing CW
- CCW = Code increasing CCW

**Connection**

- KAB2M/KAB2M69K = Cable, standard length 6.56 ft. (2 m) (not with RSSI5V), IP67/IP69K
- M12A8/M12RR8 = 8-pin socket M12 axial/radial

Order code mounting clamps (set of 3 pieces)

**PRPT-BFS1**

Order code connector cable (see accessories page 90)

**KAB-2M-M12/8F/G-LITZE**

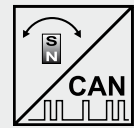
**Order example: PRDS3 - V - RSSI24V - CW - KAB2M**

**POSIROT®**  
**PRDS3**  
**Magnetic Angle Encoder with CANopen Output**



**Magnetic angle encoder 0 - 360 degrees in a 1.42 in. dia. housing**

- Measurement range 0 - 360°
- Protection class IP67 / IP69K
- CANopen Output
- With .39 shaft or .24 hollow shaft
- Magnetic measurement principle



Specifications		
	Output	CANopen-Bus (Encoder CiA 406 V 3.2)
	Measurement range	0 to 360°
	Resolution	0.05° max.
	Linearity	±1° (typ.)
	Protection class	IP67/IP69K (connector output with IP69K connector cable); IP67 (cable output, option IP67/IP69K)
	Material	Aluminum
	Mounting	Clamps, mounting plate
	Connection	5-pin socket M12 radial or axial
	Shock	EN60068-2-27:1993, 100 g/11 ms, 100 shocks
	Vibration	EN60068-2-6:1995, 20 g/10 Hz-2 kHz, 10 cycles
	Life cycle of bearings	100 x 10 <sup>6</sup> revolutions (<1500 r.p.m.)
	Revolutions per minute (mech.)	Max. 10,000 r.p.m.
	Allowable shaft load	100 N radial, 100 N axial
	EMC, Temperature	Refer to output specification

**Order Code PRDS3**

**Model name**

**Shaft**

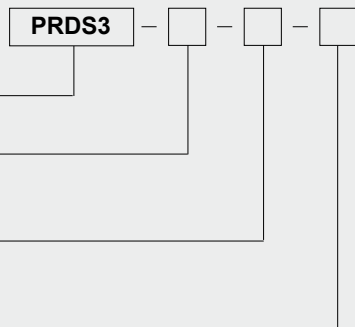
- V = .39 in. shaft
- H = .24 in. hollow shaft

**Output** (see page 50/51)

- CANOP = CANopen
- CANJ1939 = CAN SAE J1939

**Connection**

- M12R5/CAN = 5-pin socket M12 radial
- M12A5/CAN = 5-pin socket M12 axial



Order code mounting clamps (set of 3 pieces)

**PRPT-BFS1**

Order code connector cable (see accessoires page 91)

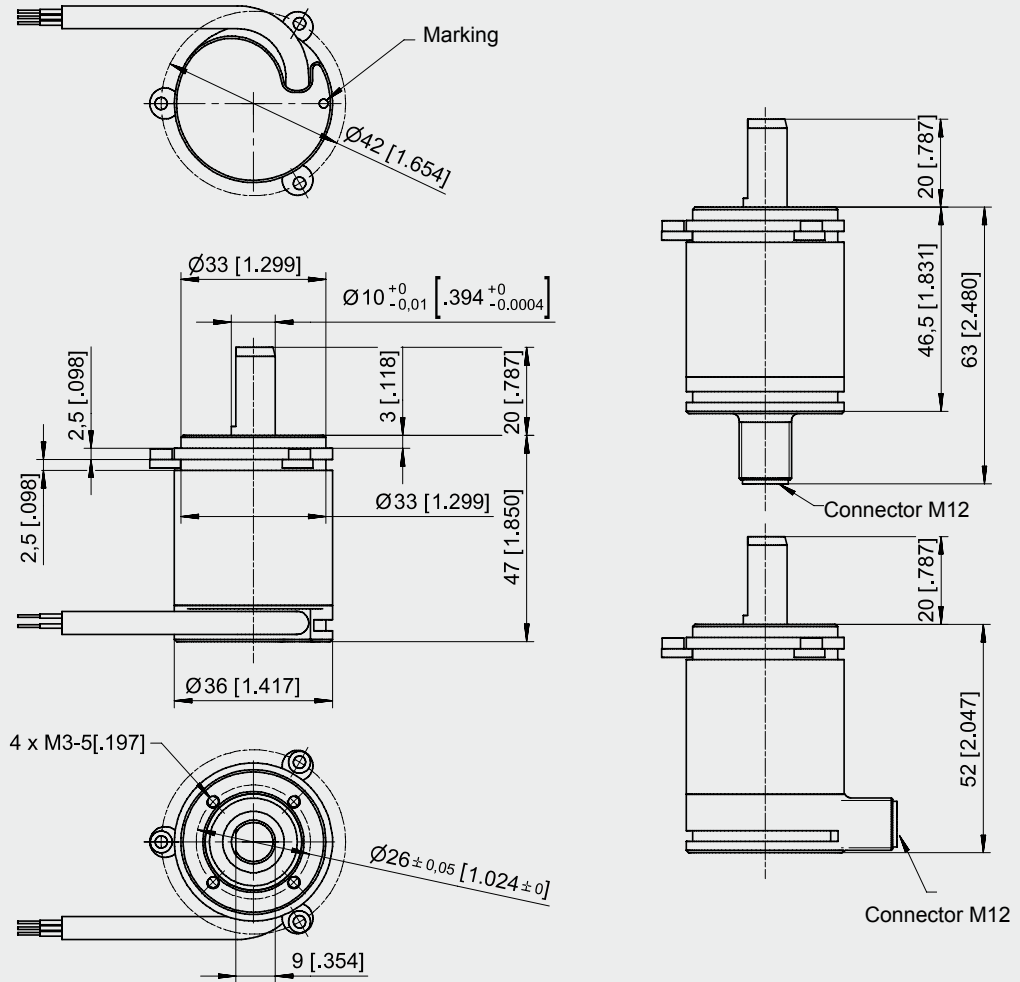
**KAB - XM - M12/5F/G - M12/5M/G - CAN**

**Order example: PRDS3 - V - CANOP - M12A5/CAN**

**POSIROT®**  
**PRAS3/PRDS3**  
**Dimensions**



**Outline drawing  
 sensor with shaft**



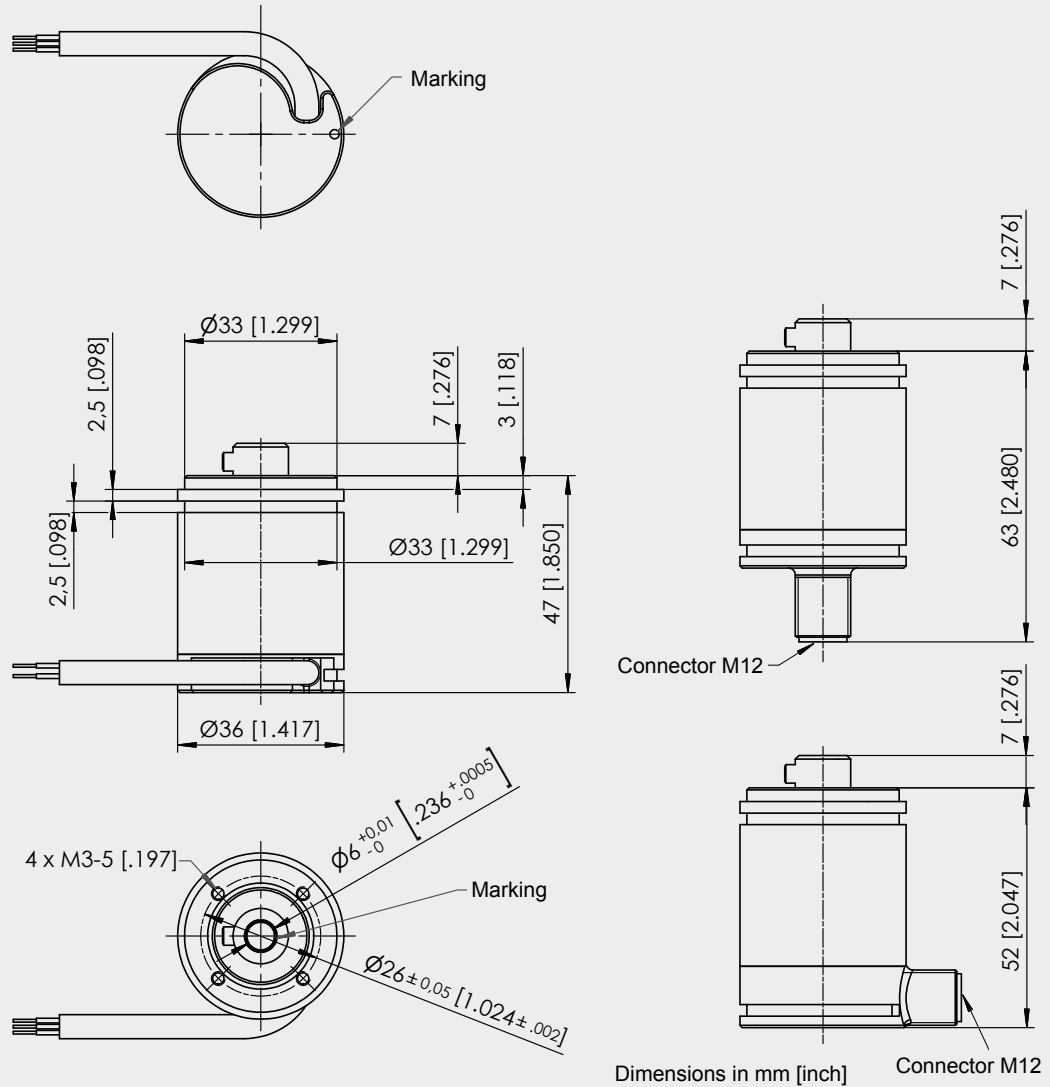
Dimensions in mm [inch]

Weight without cable 250 g (8.82 oz.) approx.  
 Dimensions informative only.  
 For guaranteed dimensions please consult factory.

**POSIROT®**  
**PRAS3/PRDS3**  
**Dimensions**



**Outline drawing  
 sensor with hollow shaft**



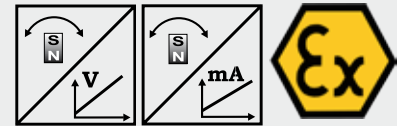
Weight without cable 250 g (8.82 oz.) approx.  
 Dimensions informative only.  
 For guaranteed dimensions please consult factory.

**POSIROT®**  
**PRAS3EX - Dust-Ex-proof**  
**Magnetic Angle Sensor with Analog Output**



**Magnetic angle sensor 0 - 360° in a 1.42 in. dia. housing**

- Measurement range 0 - 360°+
- Protection class IP65
- Analog output
- With .39 shaft or .24 hollow shaft
- Magnetic measurement principle
- Dust-Ex-proof: II 3D Ex tD A22 IP65 T80°C X
- SIL in preparation



<b>Specifications</b>	Outputs	U6 U2 I1	Voltage: 0.5 ... 4.5 V ratiometric Voltage: 0.5 ... 10 V Current: 4 ... 20 mA, 3 wire
	Measurement range		0 ... 15° to 0 ... 360° in 15° increments
	Resolution		0.03 % (60 ... 360°); 0.1 % (15 ... 45°)
	Repeatability		±0.03 % (60 ... 360°); ±0.1 % (15 ... 45°)
	Linearity		±0.3 % f.s. (typ.)
	Protection class		IP65
	Signal characteristics		CW, CCW
	Material		Stainless steel
	Mounting		Clamps, mounting plate
	Shock		EN60068-2-27:1993, 100 g/11 ms, 100 shocks
	Vibration		EN60068-2-6:1995, 20 g 10 Hz-2 kHz, 10 cycles
	Life cycle of bearings		100 x 10 <sup>6</sup> revolutions (<1500 r.p.m.)
	Revolutions per minute (mech.)		Max. 10,000 r.p.m.
	Allowable shaft load		100 N radial, 100 N axial
Temperature		-4 to +104 °F	
Dust-Ex-proof standard		DIN EN61241-0, DIN EN61241-1	

**Order Code PRAS3EX**



**Model name**

**Shaft**

- V = .39 shaft
- H = .24 hollow shaft

**Measurement range 15 ... 360° in 15° increments**

15 / 30 / 45 / ... / 345 / 360

**Output (see page 46)**

- U6 = 0.5 ... 4.5 V ratiometric
- U2 = 0.5 ... 10 V
- I1 = 4 ... 20 mA, 3 wire

**Signal characteristics**

- CW = Signal increasing CW
- CCW = Signal increasing CCW

**Connection**

- M12A5 = 5-pin socket M12 axial (compatible with 4-pin connector)
- M12R5 = 5-pin socket M12 radial (compatible with 4-pin connector)

**Order code mounting clamps (set of 3 pieces)**

**PRPT-BFS1**

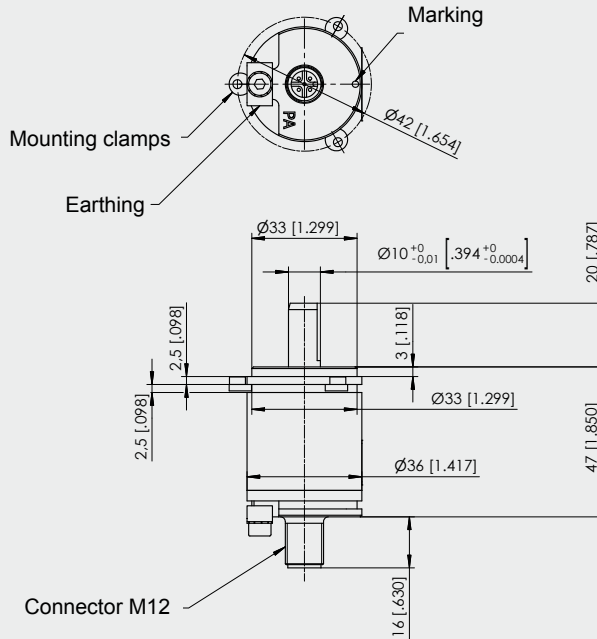
**Order example: PRAS3EX - V - 360 - I1 - CW - M12A5**



**POSIROT®**  
**PRAS3EX - Dust-Ex-proof**  
**Dimensions**

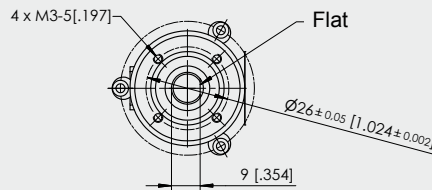


**Outline drawing  
 sensor M12 axial**

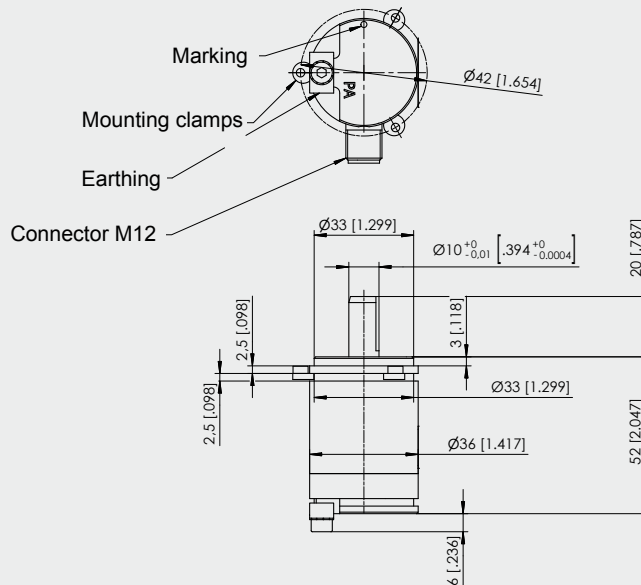


Weight 290 g (10.2 oz.) approx.

Dimensions in mm [inch].  
 Dimensions informative only.  
 For guaranteed dimensions consult factory.

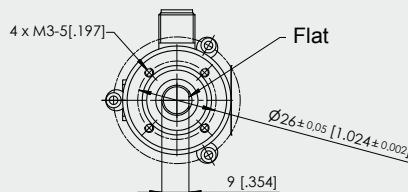


**Outline drawing  
 sensor M12 radial**



Weight 320 g (11.3 oz.) approx.

Dimensions in mm [inch].  
 Dimensions informative only.  
 For guaranteed dimensions consult factory.



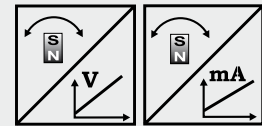
**Dust-Ex-proof explanation** (see page 55)

**POSIROT®**  
**PRAS5**  
**Magnetic angular sensor with analog output**



**Magnetic angular sensor 0 - 360° in a flat housing with 2.6 in. resp. 2.7 in. dia.**

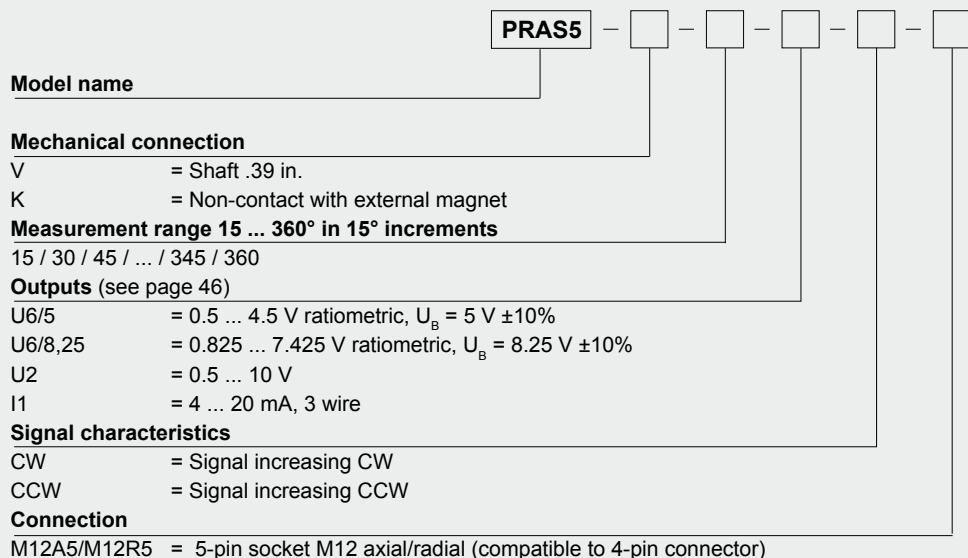
- With .39 in. shaft or non-contact
- Protection class IP67 / IP69K, optional IP68\*
- Analog output
- With .39 shaft or non-contact
- Magnetic measurement principle
- Other outputs on request
- Seawater proof
- Suitable for use on ocean-going vessels



\* Depth and duration of immersion must be specified!

<b>Specifications</b>	Outputs	U2 U6 /5/ 8,25 I1	Voltage: 0.5 ... 10 V Voltage: 0.5 ... 4.5 V / 0.825 ... 7.425 V ratiometric Current: 4 ... 20 mA, 3 wire
	Measurement range		0 ... 15° to 0 ... 360° in 15° increments
	Resolution		0.03 % (60 ... 360); 0.1 % (15 ... 45°)
	Repeatability		±0.03 % (60 ... 360°); ±0.1 % (15 ... 45°)
	Linearity		±0.3 % f.s. (typ.)
	Rated distance sensor / magnet		Depending on the position magnet
	Protection class		IP67/IP69K (connector output with IP69K connector cable); IP68 - on request
	Signal characteristics		CW, CCW
	Material		Stainless steel
	Mounting		Screws M8
	Shock		EN60068-2-27:1993, 100 g/11 ms, 100 shocks
	Vibration		EN60068-2-6:1995, 20 g 10 Hz-2 kHz, 10 cycles
	Life cycle of bearings (shaft version)		100 x 10 <sup>6</sup> revolutions (<1500 r.p.m.)
	Revolutions per minute (shaft version)		Max. 10,000 r.p.m.
Allowable shaft load		120 N radial, 120 N axial	

**Order Code PRAS5**



Order code position magnet (see accessories page 53/54)

**PRMAG ...**

Order code connector cable (see accessories page 90)

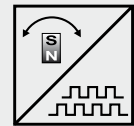
**KAB-2M-M12/4F/G-LITZE**

**Order example: PRAS5 - V - 360 - U6/5 - CW - M12R5**



**Magnetic angle sensor 0 - 360° in a flat housing with 2.6 in. resp. 2.7 in. dia.**

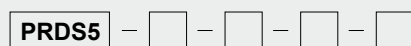
- Measurement range 0 - 360°
- Protection class IP67 / IP69K, optional IP68\*
- Incremental encoder output
- With .39 shaft or non-contact
- Magnetic measurement principle
- Seawater proof
- Suitable for use on ocean-going vessels



\* Depth and duration of immersion must be specified!

Specifications		
Output	Incremental encoder outputs A, $\bar{A}$ , B, $\bar{B}$ , Z, $\bar{Z}$ , RS422 compatible, filtered output	
Measurement range	0 ... 360°	
Resolution	256 or 1024 pulses per revolution	
Linearity	$\pm 1^\circ$	
Rated distance sensor / magnet	Depending on the position magnet	
Protection class	IP67/IP69K (connector output with IP69K connector cable); IP68 - on request	
Material	Stainless steel	
Mounting	Screws M8	
Shock	EN60068-2-27:1993, 100 g/11 ms, 100 shocks	
Vibration	EN60068-2-6:1995, 20 g 10 Hz-2 kHz, 10 cycles	
Life cycle of bearings (shaft version)	100 x 10 <sup>6</sup> revolutions (<1500 r.p.m.)	
Revolutions per minute (shaft version)	Max. 10,000 r.p.m.	
Allowable shaft load	120 N radial, 120 N axial	

**Order Code PRDS5**



**Model name**

**Mechanical connection**

V = Shaft .39 in.

K = Non-contact with external magnet

**Resolution (pulses/revolution)**

256 / 1024

(other resolutions available on request)

**Output (see page 47/48)**

RS5VF = RS422 compatible, U<sub>s</sub> = 5 V DC, filtered output

RS24VF = RS422 compatible, U<sub>s</sub> = 10 ... 36 V DC, filtered output

HT24VF = HTL compatible, U<sub>s</sub> = 18 ... 36 V DC, filtered output

**Connection**

M12A8/M12R8 = 8-pin socket M12 axial/radial

Order code position magnet (see accessories page 53/54)

PRMAG ...

Order code connector cable (see accessories page 90)

KAB-2M-M12/8F/G-LITZE

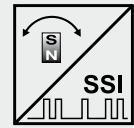
**Order example: PRDS5 - V - 1024 - RS24VF - M12A8**

**POSIROT®**  
**PRDS5**  
**Magnetic Angle Encoder with SSI Output**



**Magnetic angle sensor 0 - 360° in a flat housing with 2.6 in. resp. 2.7 in. dia.**

- Measurement range 0 - 360°
- Protection class IP67 / IP69K, optional IP68\*
- Synchronous serial output (SSI)
- With .39 shaft or non-contact
- Magnetic measurement principle
- Seawater proof
- Suitable for use on ocean-going vessels



\* Depth and duration of immersion must be specified!

Specifications		
Output	Synchronous serial (SSI)	
Measurement range	0 ... 360°	
Resolution	12 bit f.s. (4096 steps) per revolution	
Repeatability	±0.1° (typ.)	
Linearity	±1°(typ.)	
Rated distance sensor / magnet	Depending on the position magnet	
Protection class	IP67/IP69K (connector output with IP69K connector cable); IP68 - on request	
Code characteristics	CW, CCW	
Material	Stainless steel	
Mounting	Screws M8	
Shock	EN60068-2-27:1993, 100 g/11 ms, 100 shocks	
Vibration	EN60068-2-6:1995, 20 g 10 Hz-2 kHz, 10 cycles	
Life cycle of bearings (shaft version)	100 x 10 <sup>6</sup> revolutions (<1500 r.p.m.)	
Revolutions per minute (shaft version)	Max. 10,000 r.p.m.	
Allowable shaft load	120 N radial, 120 N axial	

**Order Code PRDS5**

**Model name** PRDS5 - [ ] - [ ] - [ ] - [ ]

**Shaft**

V = Shaft .39 in.  
 K = Non-contact with external magnet

**Output** (see page 49)

RSSI5V = Synchronous serial output with excitation 5 V DC  
 RSSI24V = Synchronous serial output with excitation 10 ... 36 V DC

**Code characteristics**

CW = Code increasing CW  
 CCW = Code increasing CCW

**Connection**

M12A8/R8 = 8-pin socket M12 axial/radial

Order code position magnet (see accessories page 53/54)

**PRMAG ...**

Order code connector cable (see accessories page 90)

**KAB-2M-M12/8F/G-LITZE**

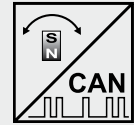
**Order example: PRDS5 - K - RSSI24V - CW - M12R8**

**POSIROT®**  
**PRDS5**  
**Magnetic Angle Encoder with CANopen Output**



**Magnetic angle encoder 0 - 360° in a flat housing with 2.6 in. resp. 2.7 in. dia.**

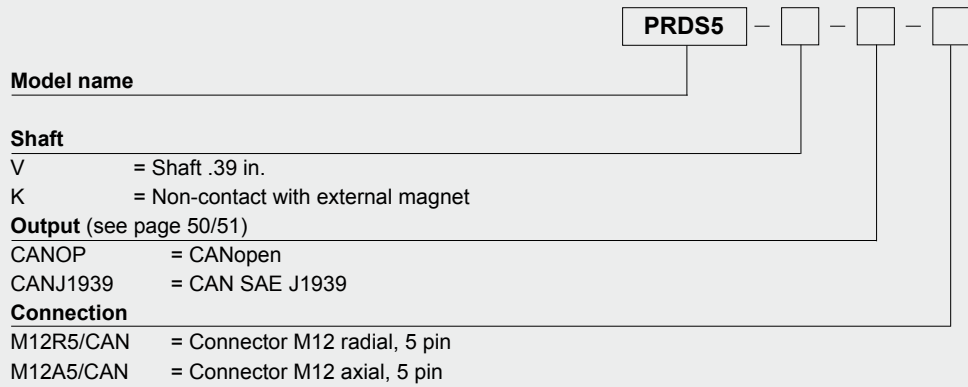
- Measurement range 0 - 360°
- Protection class IP67 / IP69K, optional IP68\*
- CANopen output
- With .39 shaft or non-contact
- Magnetic measurement principle
- Seawater proof
- Suitable for use on ocean-going vessels



\* Depth and duration of immersion must be specified!

Specifications		
Output		CANopen-Bus (Encoder CiA 406 V 3.2)
Measurement range		0 ... 360°
Resolution		0.05° max.
Linearity		±1° (typ.)
Protection class		IP67/IP69K (connector output with IP69K connector cable); IP68 - on request
Material		Stainless steel
Mounting		Screws M8
Connection		Connector M12 5 pin, radial or axial
Shock		EN60068-2-27:1993, 100 g/11 ms, 100 shocks
Vibration		EN60068-2-6:1995, 20 g/10 Hz-2 kHz, 10 cycles
Life cycle of bearings (shaft version)		100 x 10 <sup>6</sup> revolutions (<1500 r.p.m.)
Revolutions per minute (shaft version)		Max. 10,000 r.p.m.
Allowable shaft load		120 N radial, 120 N axial
EMC, Temperature		Refer to output specification

**Order Code PRDS5**



Order code position magnet (see accessories page 53/54)

**PRMAG ...**

Order code connector cable (see accessories page 91 )

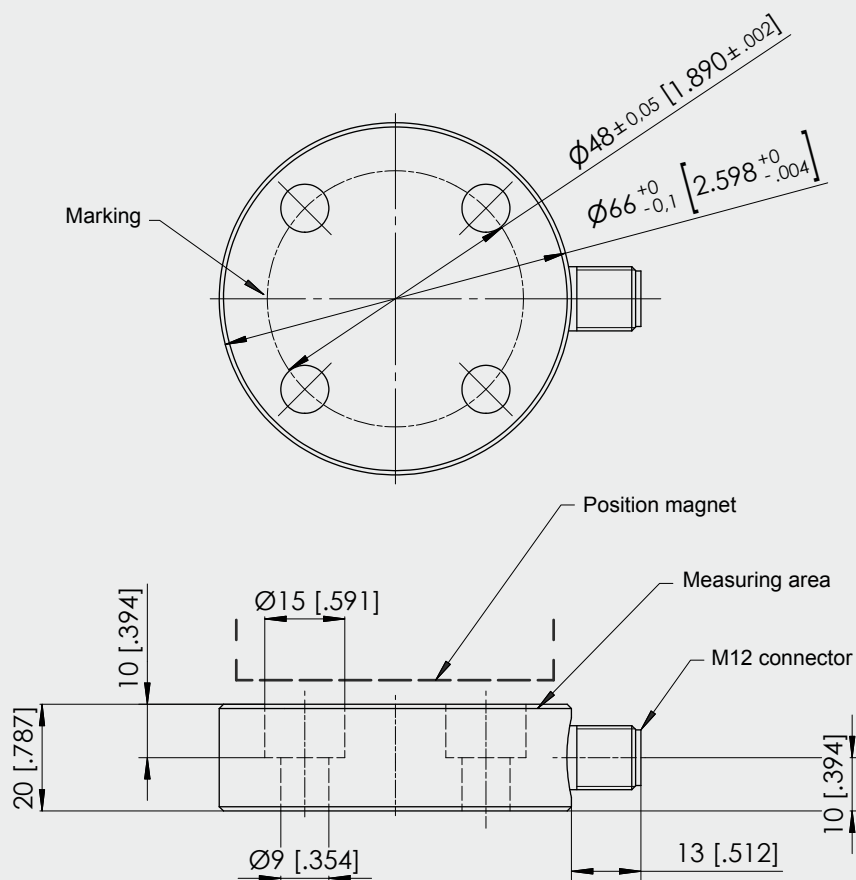
**KAB - XM - M12/5F/G - M12/5M/G - CAN**

**Order example: PRDS5 - K - CANOP - M12A5/CAN**

**POSIROT®**  
**PRAS5/PRDS5**  
**Dimensions**



Outline drawing  
PRAS5-K/PRDS5-K  
M12 radial



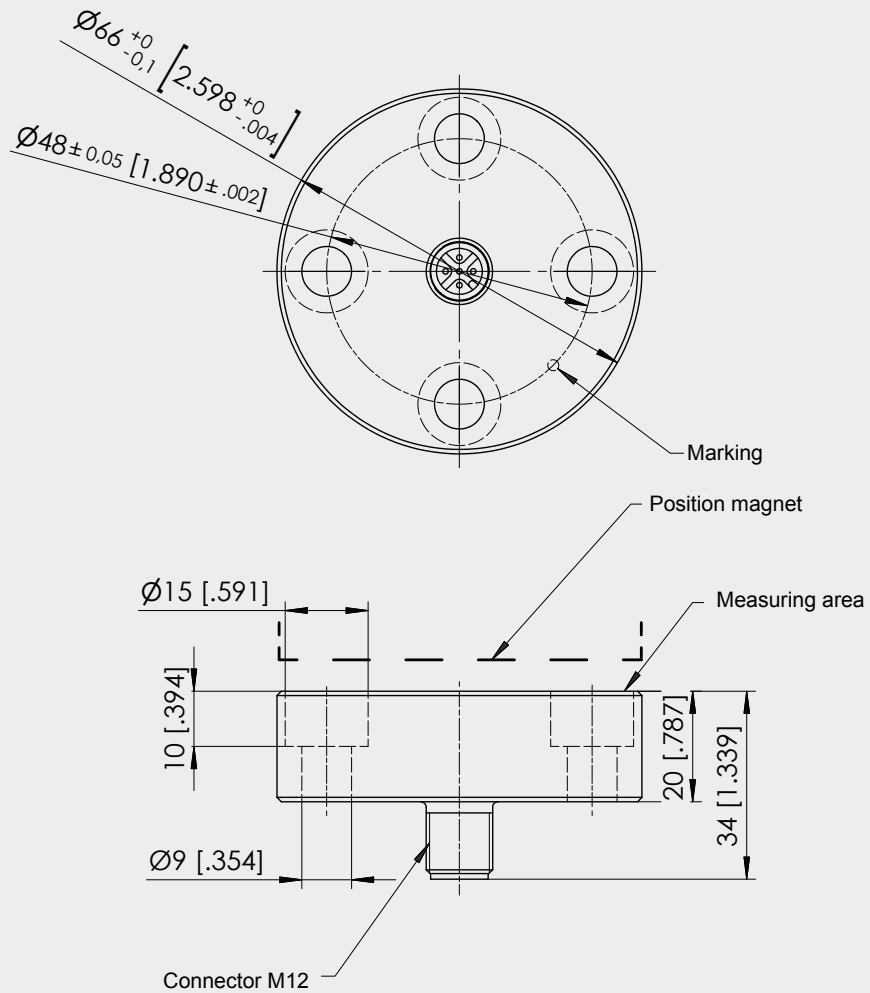
Dimensions in mm [inch]

Dimensions informative only.  
For guaranteed dimensions consult factory.

**POSIROT®**  
**PRAS5/PRDS5**  
**Dimensions**



Outline drawing  
 PRAS5-K/PRDS5-K  
 M12 axial



Dimensions in mm [inch]

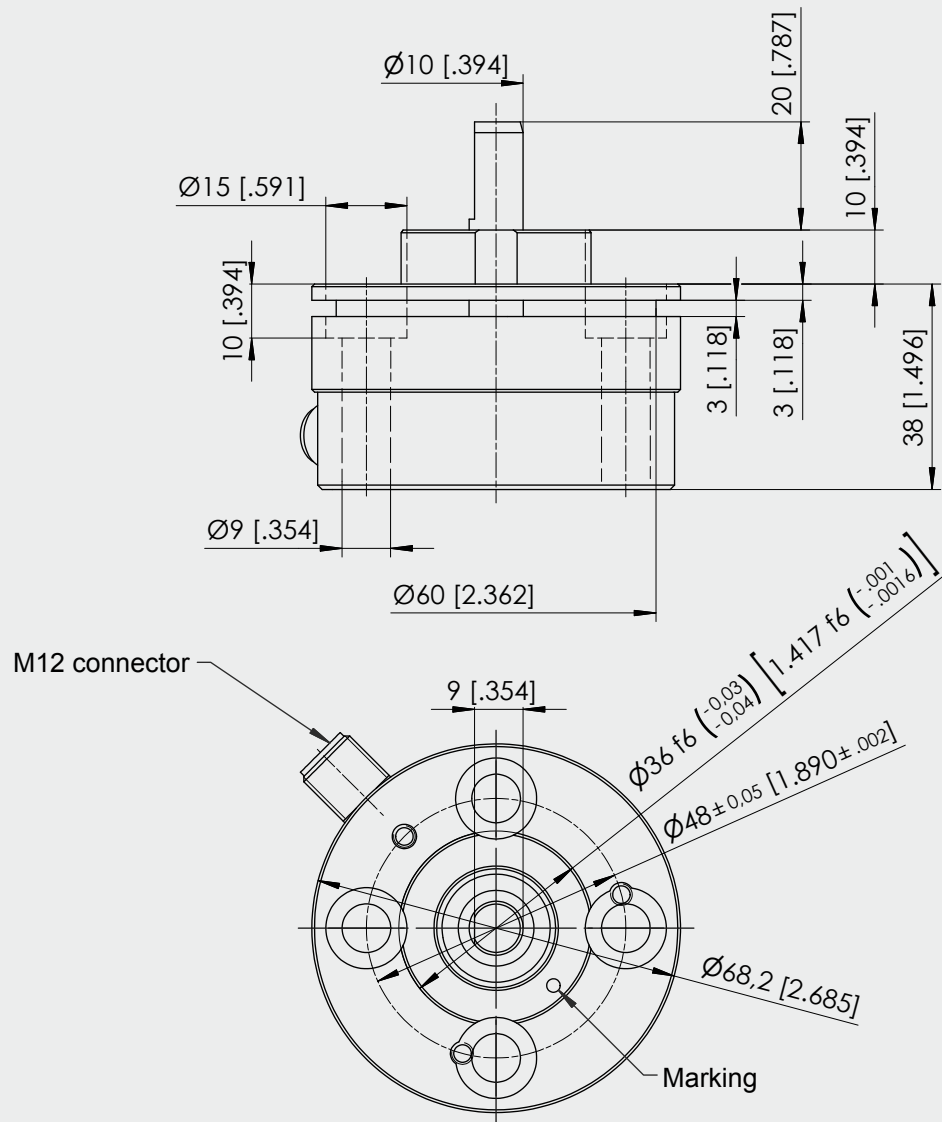
Dimensions informative only.  
 For guaranteed dimensions consult factory.

**POSIROT®**  
**PRAS5/PRDS5**  
**Dimensions**



**Outline drawing**  
**PRAS5-V, PRDS5-V**  
**M12 radial**

(flange mechanically compatible to the analog angle sensor AWS1)



Dimensions in mm [inch]

Dimensions informative only.  
 For guaranteed dimensions consult factory.

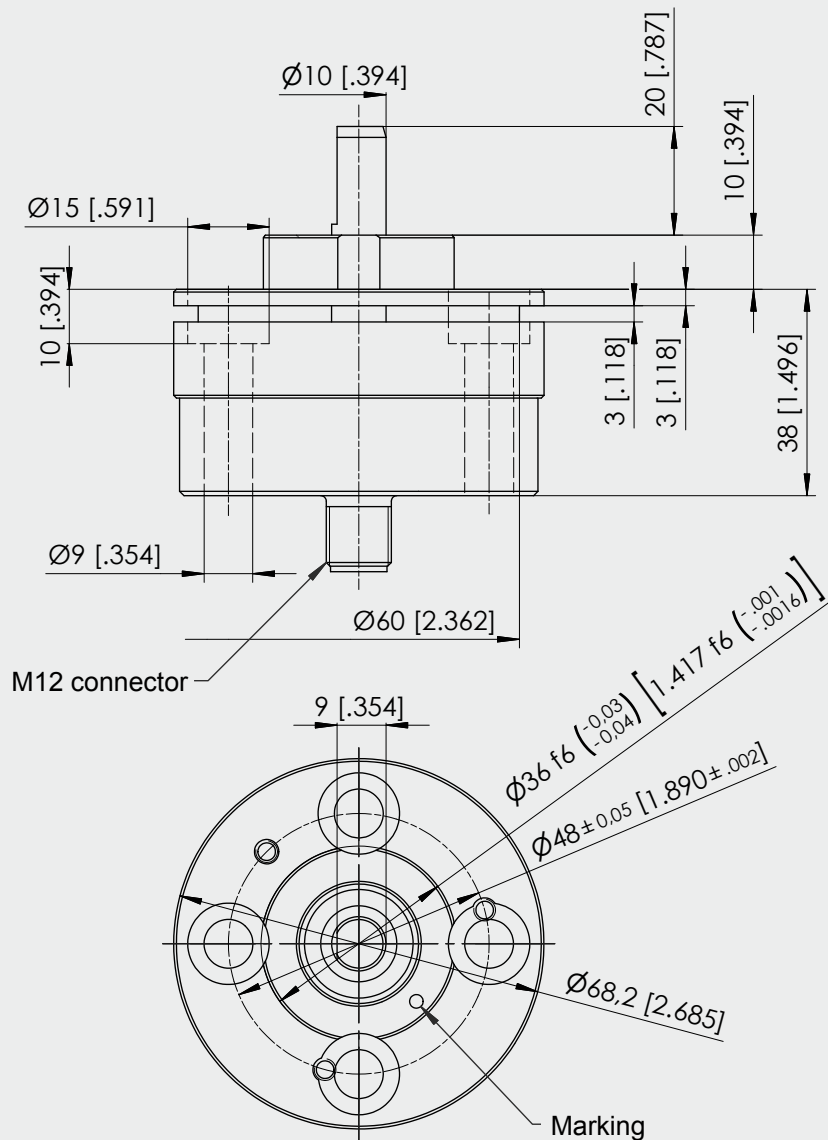


**POSIROT®**  
**PRAS5/PRDS5**  
**Dimensions**



**Outline drawing**  
**PRAS5-V, PRDS5-V**  
**M12 axial**

(flange mechanically compatible to the analog angle sensor AWS1)



Dimensions in mm [inch]

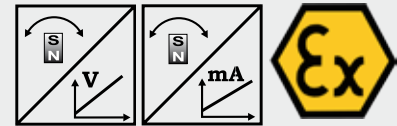
Dimensions informative only.  
 For guaranteed dimensions consult factory.

# POSIROT® PRAS5EX - Dust-Ex-proof Magnetic Angle Sensor with Analog Output



**Magnetic angle sensor 0 - 360° in a flat housing with 66 mm resp. 68.2 mm dia.**

- Measurement range 0 - 360°
- Protection class IP65
- Analog output
- With .39 shaft or non-contact
- Magnetic measurement principle
- Other outputs available on request
- Dust-Ex-proof: II 3D Ex tD A22 IP65 T80°C X
- SIL in preparation



Specifications	Outputs	U2	Voltage: 0.5 ... 10 V
		U6 /5/ 8,25 I1	
	Measurement range		0 ... 15° to 0 ... 360° in 15° increments
	Resolution		0.03 % (60 ... 360°); 0.1 % (15 ... 45°)
	Repeatability		±0.03 % (60 ... 360°); ±0.1 % (15 ... 45°)
	Linearity		±0.3 % f.s. (typ.)
	Rated distance sensor / magnet		Depending on the position magnet
	Protection class		IP65
	Signal characteristics		CW, CCW
	Material		Stainless steel
	Mounting		Screws M8
	Shock		EN60068-2-27:1993, 100 g/11 ms, 100 shocks
	Vibration		EN60068-2-6:1995, 20 g 10 Hz-2 kHz, 10 cycles
	Life cycle of bearings (shaft version)		100 x 10 <sup>6</sup> revolutions (<1500 r.p.m.)
	Revolutions per minute (shaft version)		Max. 10,000 r.p.m.
	Allowable shaft load		120 N radial, 120 N axial
	Temperature		-4 to +104 °F
	Dust-Ex-proof standard		DIN EN61241-0, DIN EN61241-1

## Order Code PRAS5EX

PRAS5EX - [ ] - [ ] - [ ] - [ ] - [ ]

### Model name

### Mechanical connection

V = Shaft .39 in.

K = Non-contact with external magnet

### Measurement range 15 ... 360° in 15° increments

15 / 30 / 45 / ... / 345 / 360

### Outputs (see page 46)

U2 = 0.5 ... 10 V

U6/5 = 0.5 ... 4.5 V ratiometric, U<sub>B</sub> = 5 V ±10%

I1 = 4 ... 20 mA, 3 wire

### Signal characteristics

CW = Signal increasing CW

CCW = Signal increasing CCW

### Connection

M12A5/M12R5 = 5-pin socket M12 axial/radial (compatible to 4-pin connector)

Order code position magnet (see accessories page 53/54)

PRMAG ...

**Order example: PRAS5EX - V - 360 - U6/5 - CW - M12R5**

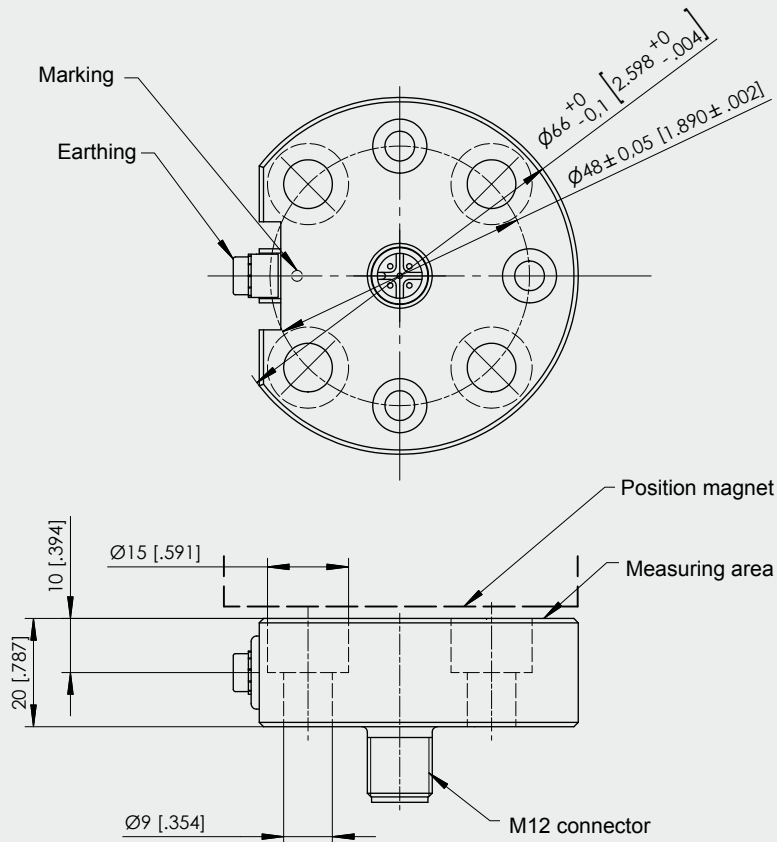
**POSIROT®**  
**PRAS5EX - Dust-Ex-proof**  
**Dimensions**



**Outline drawing**  
**Sensor PRAS5EX-K**  
**M12, axial**

Dimensions in mm [inch]

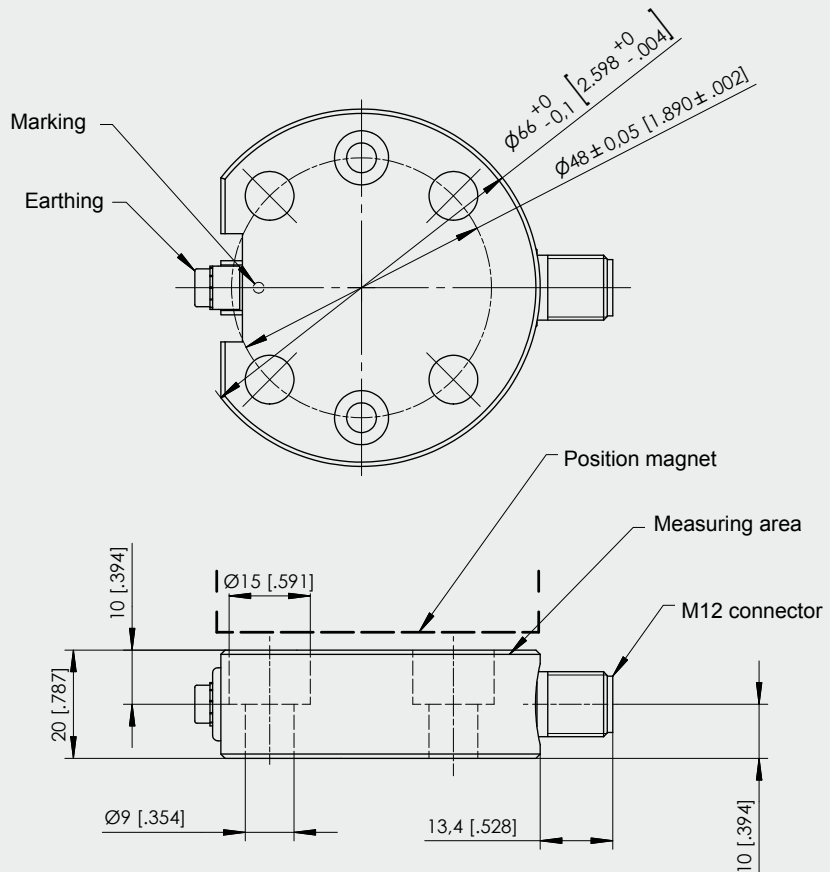
Dimensions informative only.  
 For guaranteed dimensions  
 consult factory.



**Outline drawing**  
**Sensor PRAS5EX-K**  
**M12, radial**

Dimensions in mm [inch]

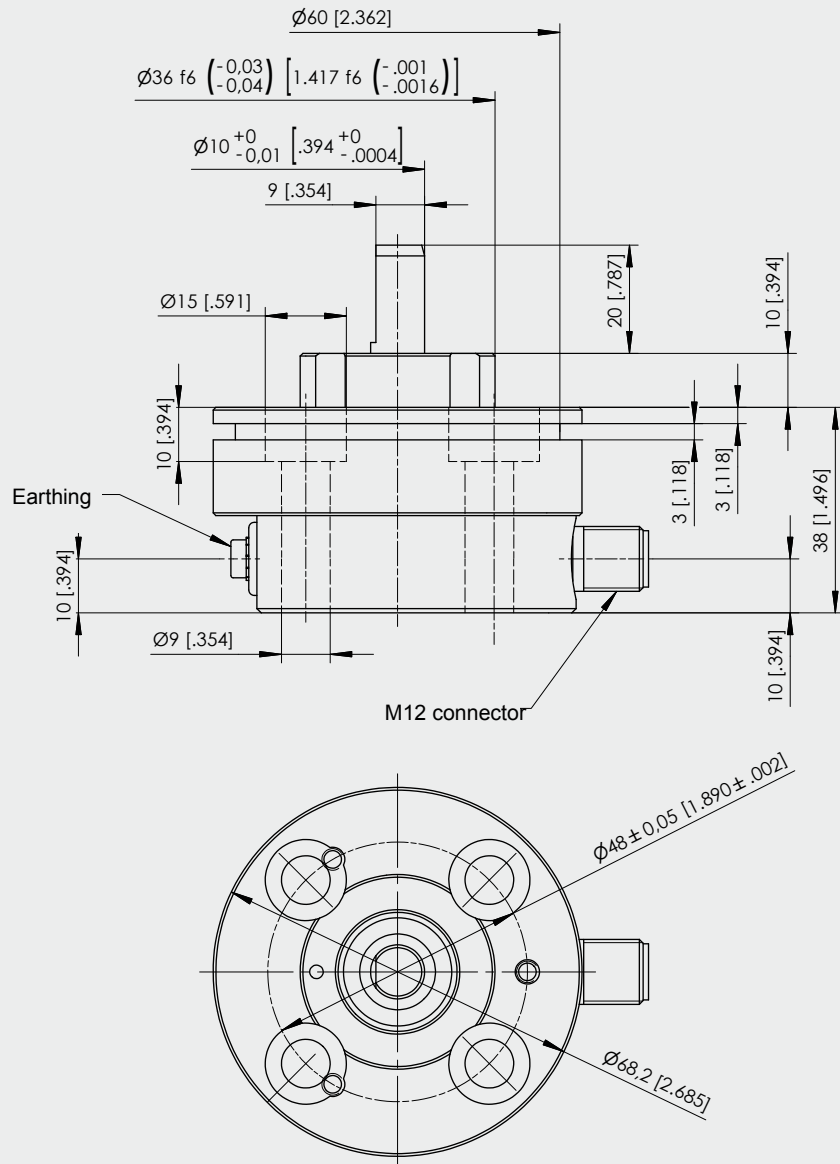
Dimensions informative only.  
 For guaranteed dimensions  
 consult factory.



**POSIROT®**  
**PRAS5EX - Dust-Ex-proof**  
**Dimensions**



**Outline drawing**  
**Sensor PRAS5EX-V**  
**M12, radial**



Dimensions in mm [inch]

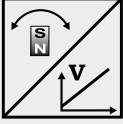
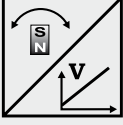
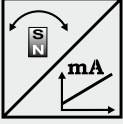
Dimensions informative only.

For guaranteed dimensions consult factory.



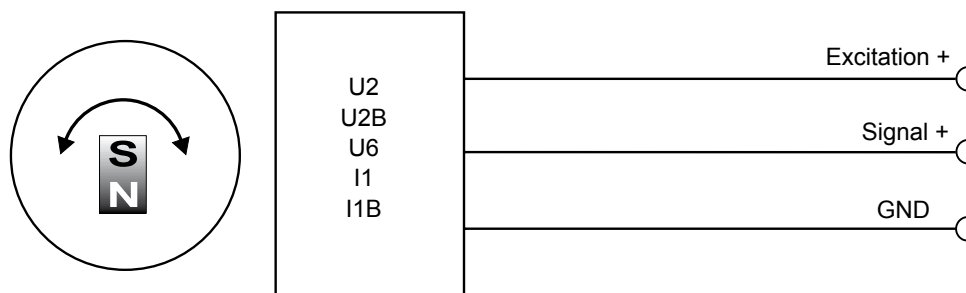
# POSIROT® PRAS Analog outputs U2(B), U6 and I1(B)



<b>U2; U2B</b> Voltage Output 0.5 ... 10 V 	Excitation voltage	U2: 18 ... 36 V DC; U2B: 11.5 ... 27 V DC
	Excitation current	12 mA typ., 16 mA max.
	Output voltage	0.5 ... 10 V DC
	Output current	2 mA max.
	Measuring rate	1 kHz standard
	Stability (temperature)	$\pm 50 \times 10^{-6} / ^\circ\text{C}$ f.s. (typ.) for $90^\circ \dots 360^\circ$ $\pm 100 \times 10^{-6} / ^\circ\text{C}$ f.s. (typ.) for $<90^\circ$
	Operating temperature	-40 ... +85 °C (+105 °C as option)
	Protection	Reverse polarity, short circuit
EMC	EN61326-1:2006	
<b>U6/5; U6/8,25</b> Voltage Output 10 ... 90% ratiometr. 	Excitation voltage	5V DC $\pm 10\%$ / 8.25 V DC $\pm 10\%$
	Excitation current	8 mA typ., 12 mA max.
	Output voltage	10 ... 90 % of the excitation voltage
	Output current	2 mA max.
	Measuring rate	1 kHz standard
	Stability (temperature)	$\pm 50 \times 10^{-6} / ^\circ\text{C}$ f.s. (typ.) for $90^\circ \dots 360^\circ$ $\pm 100 \times 10^{-6} / ^\circ\text{C}$ f.s. (typ.) for $<90^\circ$
	Operating temperature	-40 ... +85 °C (+125 °C as option)
	Protection	Reverse polarity, short circuit
EMC	EN61326-1:2006	
<b>I1; I1B</b> Current Output 4 ... 20 mA, 3 wire 	Excitation voltage	I1: 18 ... 36 V DC; I1B: 10 ... 18 V DC
	Excitation current	32 mA typ., 36 mA max.
	Load resistor	I1: 500 $\Omega$ max.; I1B: 250 $\Omega$ max.
	Output current	4 ... 20 mA
	Measuring rate	1 kHz standard
	Stability (temperature)	$\pm 50 \times 10^{-6} / ^\circ\text{C}$ f.s. (typ.) for $90^\circ \dots 360^\circ$ $\pm 100 \times 10^{-6} / ^\circ\text{C}$ f.s. (typ.) for $<90^\circ$
	Operating temperature	-40 ... +85 °C
	Protection	Reverse polarity, short circuit
EMC	EN61326-1:2006	

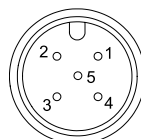
Other outputs available on request.

## Output signals



Signal Wiring	Output signals	Connector pin	Cable color
	Excitation +	1	Brown
	Signal	2	White
	GND	3	Blue
	Do not connect!	4	Black
	Do not connect!	5	-

## Connection



M12A5 / M12R5

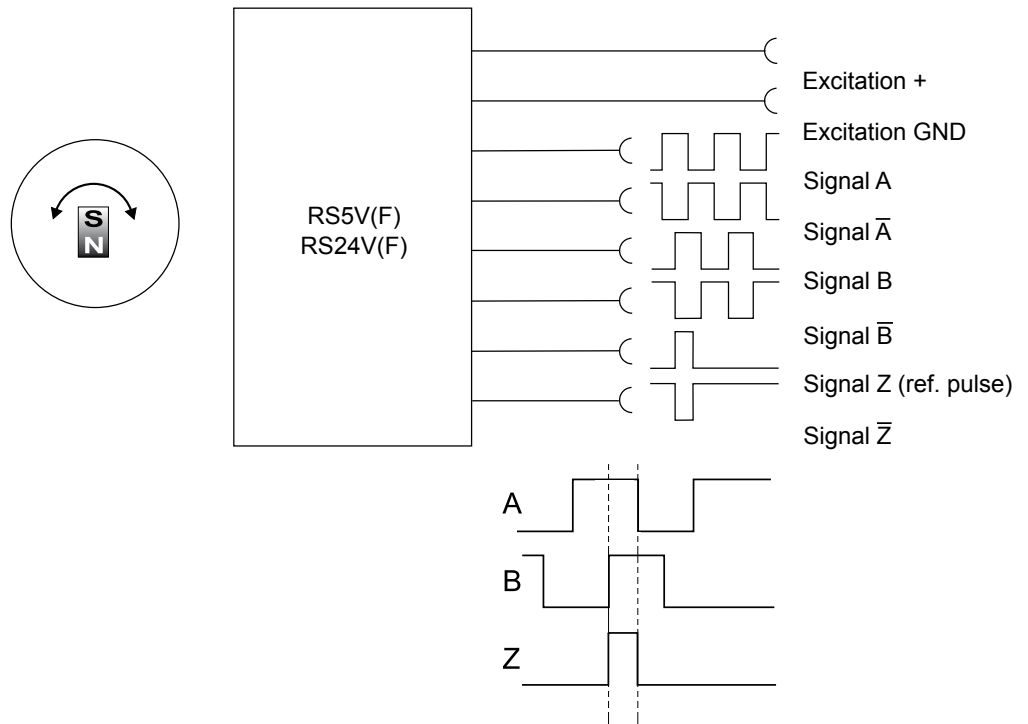
View to sensor  
connector

# POSIROT<sup>®</sup> PRDS Output RS5V(F) / RS24V(F)



<b>RS5V(F)/RS24V(F) Incremental</b>	Interface	EIA RS-422
	Excitation voltage	RS5V(F): 5 V DC $\pm 10\%$ ; RS24V(F): 10 ... 36 V DC
	Excitation current	100 mA max., depending on the load
	Pulse frequency	<500 kHz
	Output signals	A, $\bar{A}$ , B, $\bar{B}$ , Z, $\bar{Z}$ Push-Pull
	Output current	10 mA max.
	Stability (temperature)	$\pm 28 \times 10^{-6}$ / °F f.s. (typ.)
	Operating temperature	-40 ... +185 °F
	Protection	Short circuit
	EMC	EN61326-1:2006

## Output signals



### Unfiltered output RS5V / RS24V

A preferred maximum pulse frequency has to be defined within the product code. This will take account for limited bandwidth of downstream counter.

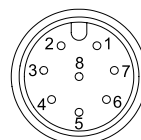
### Filtered output RS5VF / RS24VF

Option for filtered jitterfree position value. The filter does not introduce velocity or acceleration error.

Signal wiring	Output signals	Connector pin	Wire color
	Excitation +	1	White
	GND	2	Brown
	A	4	Yellow
	$\bar{A}$	6	Pink
	B	3	Green
	$\bar{B}$	5	Grey
	Z	7	Blue
	$\bar{Z}$	8	Red

## Connection

View to sensor  
connector



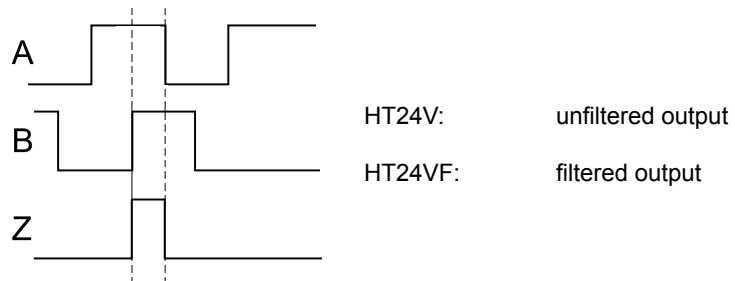
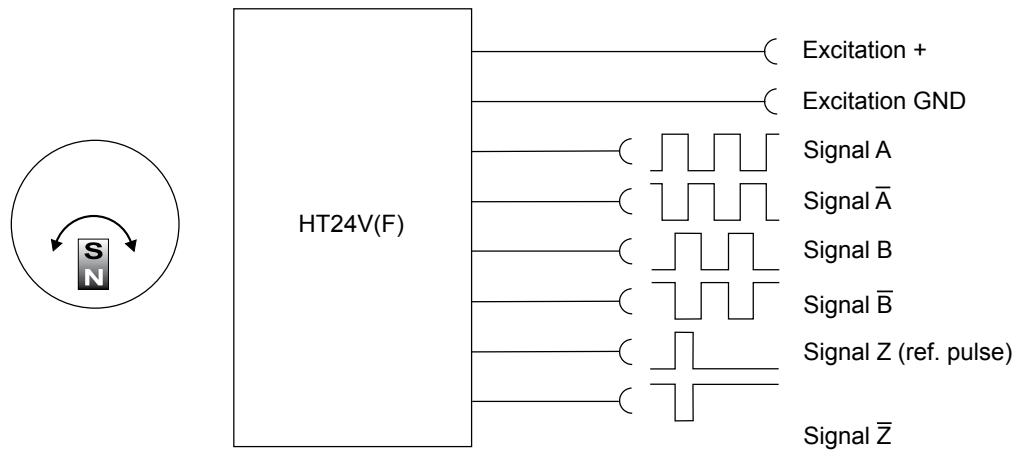
M12A8 / M12R8

# POSIROT<sup>®</sup> PRDS Output HT24V(F)



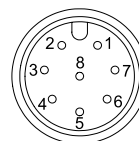
<b>HT24V(F)</b> Incremental 	Interface	EIA RS-422
	Excitation voltage	18 ... 36 V DC
	Excitation current	100 mA max., depending on the load
	Pulse frequency	<500 kHz
	Output signals	A, $\bar{A}$ , B, $\bar{B}$ , Z, $\bar{Z}$ Push-Pull
	Output current	50 mA max.
	Stability (temperature)	$\pm 28 \times 10^{-6}$ / °F f.s. (typ.)
	Operating temperature	-40 ... +185 °F
	Protection	Short circuit
	EMC	EN61326-1:2006

## Output signals



Signal wiring	Output signals	Connector pin	Cable color
	Excitation +	1	White
	GND	2	Brown
	A	4	Yellow
	$\bar{A}$	6	Pink
	B	3	Green
	$\bar{B}$	5	Grey
	Z	7	Blue
	$\bar{Z}$	8	Red

## Connection




View to sensor  
connector

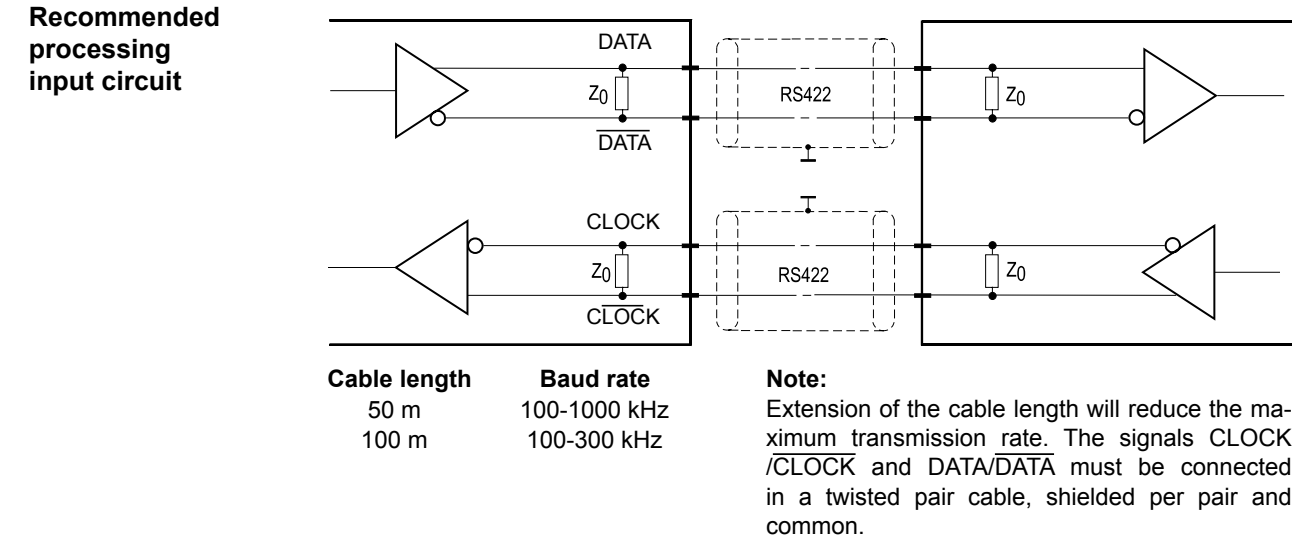
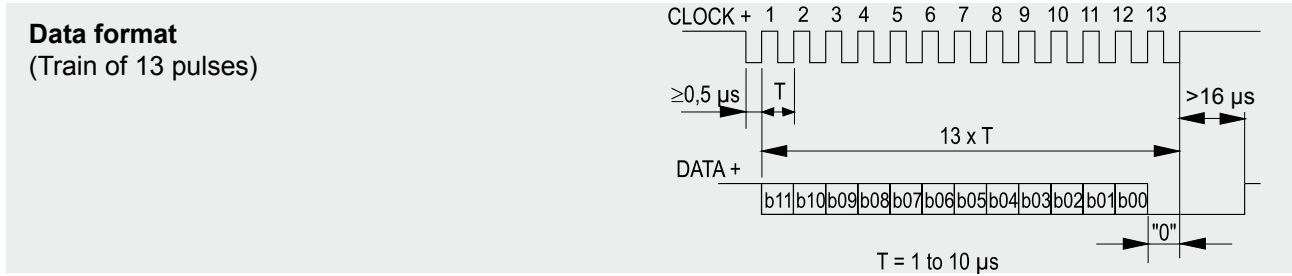
M12A8 / M12R8



**POSIROT®**  
**PRDS**  
**Output RSSI5V / RSSI24V**

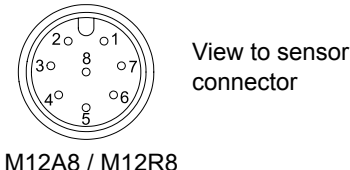


<b>RSSI5V / RSSI24V</b> Synchronous serial 	Interface	EIA RS-422
	Excitation voltage	RSSI5V: 5 V DC $\pm 10\%$ ; RSSI24V: 10 ... 36 V DC
	Excitation current	100 mA max. without load
	Clock frequency	100 kHz ... 1 MHz
	Code	Single step Gray code 12 Bit
	Resolution	12 Bit
	Delay between pulse trains	20 $\mu$ s min.
	Stability (temperature)	$\pm 28 \times 10^{-6}$ / °F f.s. (typ.)
	Operating temperature	-40 ... +185 °F
	Protection	Short circuit
EMC	EN61326-1:2006	



Signal wiring	Signal name	Connector pin no.	Cable color
	Excitation +	1	White
	Excitation GND	2	Brown
	CLOCK	3	Green
	CLOCK	4	Yellow
	DATA	5	Grey
	DATA	6	Pink


**Connection**



**POSIROT®**  
**PRDS**  
**Output CANopen**



**Description**                      Magnetic angle encoder with CANopen interface according to CiA 406.

<b>CANopen</b> 	Communication profile	CANopen CiA 301 V 4.02, Slave
	Device profile	Encoder CiA 406 V 3.2
	Configuration services	Layer Setting Service (LSS), CiA Draft Standard 305 (transmission rate, node id)
	Error Control	Node Guarding, Heartbeat, Emergency Message
	Node ID	Default: 127; programmable via LSS or SDO
	PDO	3 TxPDO, 0 RxPDO, static mapping
	PDO Modes	Event-/Time triggered, Remote-request, Sync cyclic/acyclic
	SDO	1 server, 0 Client
	CAM	8 cams
	Certified	Yes
	Transmission rates	50 kBaud to 1 MBaud, default: 125 kBaud; programmable via LSS or SDO
	Bus connection	M12 connector, 5 pin
	Integrated bus terminating resistor	Optional
	Bus, galvanic isolated	No

<b>Specifications</b>	Excitation voltage	8 ... 36 V DC
	Excitation current	Typ. 15/30 mA for 24/12 V, max. 100 mA
	Measuring rate	1 kHz (asynchronous)
	Stability (temperature)	$\pm 28 \times 10^{-6}$ / °F f.s.
	Repeatability	1 LSB
	Operating temperature	-40 ... +105 °C
	Protection	Reverse polarity, short circuit
	Dielectric strength	1 kV (V AC, 50 Hz, 1 min.)
	EMC Automation	EN61326-1:2006

# POSIROT<sup>®</sup> PRDS Output CAN SAE J1939



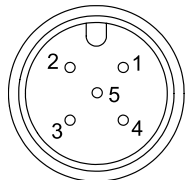
**Description** Angular encoder according to standard SAE J1939. Customer configuration of operating parameters by Peer-to-Peer. Process data exchange by Broadcast message. Node-Id distribution by address claiming (ACL).

<b>Interface J1939</b> 	CAN specification	ISO 11898, Basic and Full CAN 2.0 B
	Transceiver	24V-compliant, not isolated
	Communication profile	SAE J1939
	Baud rate	250 kbit/s
	Internal termination resistor	120 Ω
	Address	Default 247d, configurable

<b>NAME Fields</b>	Arbitrary address capable	1	Yes
	Industry group	0	Global
	Vehicle system	7Fh (127d)	Non specific
	Vehicle system instance	0	
	Function	FFh (255d)	Non specific
	Function instance	0	
	ECU instance	0	
	Manufacturer	145h (325d)	Manufacturer ID
	Identity number	0nnn	Serial number 21 bit

<b>Parameter Group Numbers (PGN)</b>	Configuration data	PGN EF00h	Proprietary-A (PDU1 peer-to-peer)
	Process data	PGN FFnnh	Proprietary-B (PDU2 broadcast); nn Group Extension (PS) configurable

<b>Specifications</b>	Excitation voltage	8 ... 36 V DC
	Excitation current	Typ. 15/30 mA for 24/12 V, max. 100 mA
	Measuring rate	1 kHz (asynchronous)
	Stability (temperature)	±28 x 10 <sup>-6</sup> / °F f.s.
	Repeatability	1 LSB
	Operating temperature	-40 ... +221 °F (-40 ... +105 °C)
	Protection	Reverse polarity, short circuit
	Dielectric strength	1 kV (V AC, 50 Hz, 1 min.)
	EMC	EN61326-1:2006

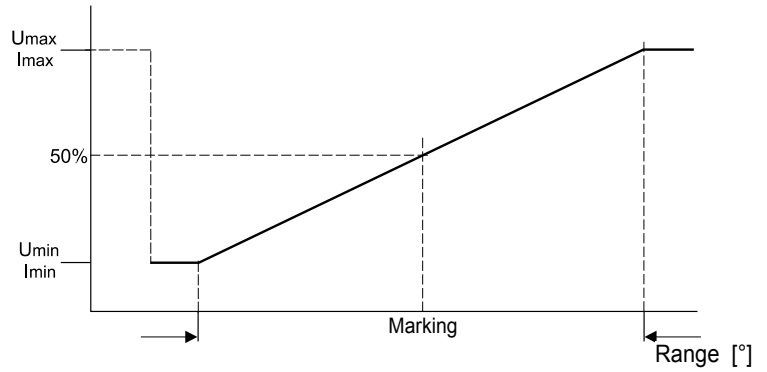
<b>Signal wiring / connection</b>	Signal name	Connector pin	Wire color	View to sensor connector 
	Shield	1	Black+grey	
	Excitation +	2	White	
	GND	3	Brown	
	CAN-H	4	Green	
	CAN-L	5	Yellow	

# POSIROT<sup>®</sup>

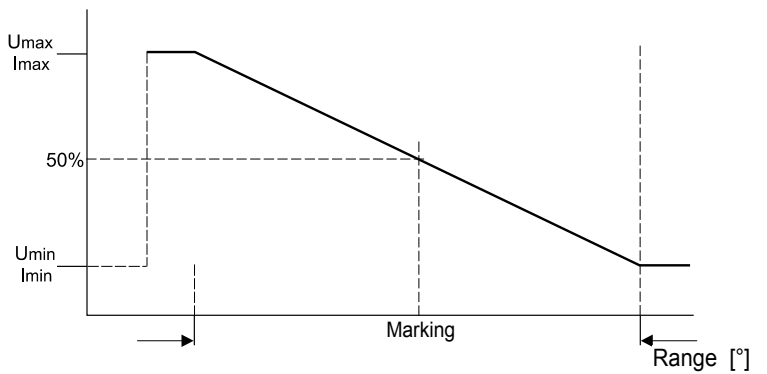
## Characteristics for magnetic angle sensors



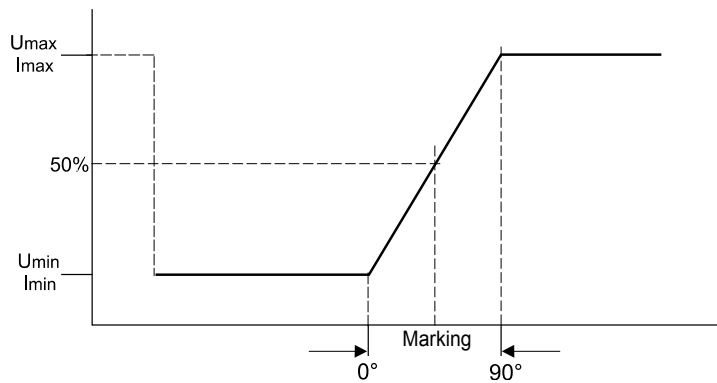
**Output signal**  
(CW increasing)



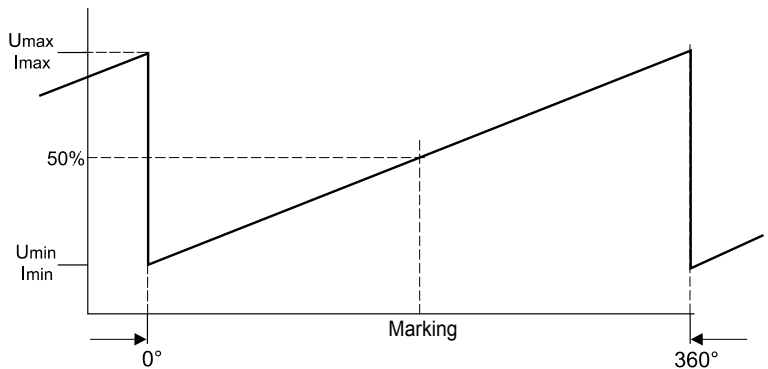
**Output signal**  
(CCW increasing)



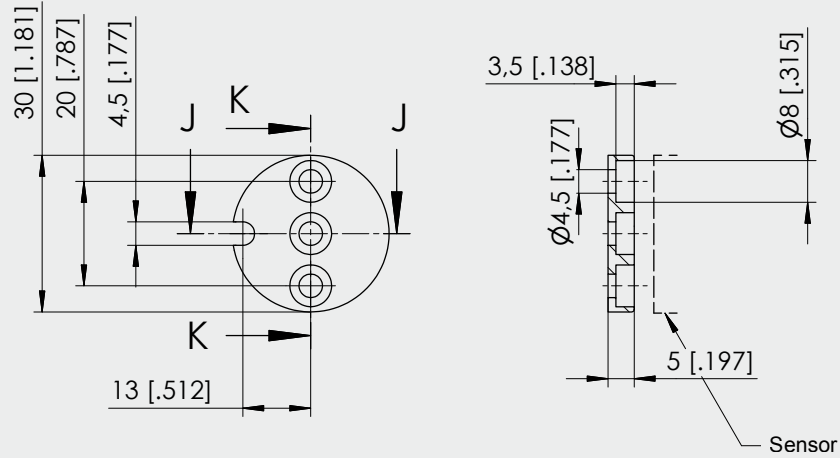
**Example angular**  
**range 90°**



**Example angular**  
**range 360°**

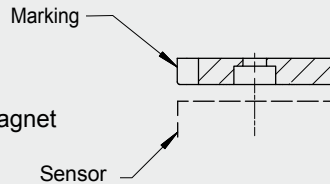


**PRMAG20**

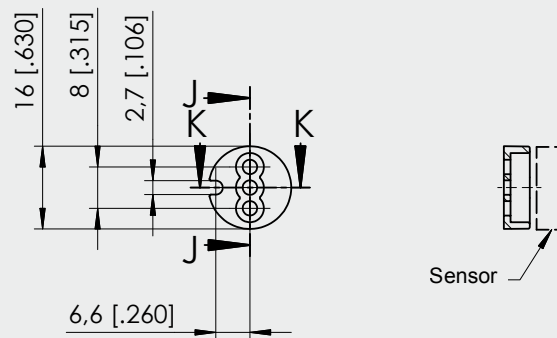


Weight 11 g (0.39 oz.) approx.,  
moment of inertia 1.2 kgmm<sup>2</sup>

A misalignment of the position magnet  
has an effect on the linearity

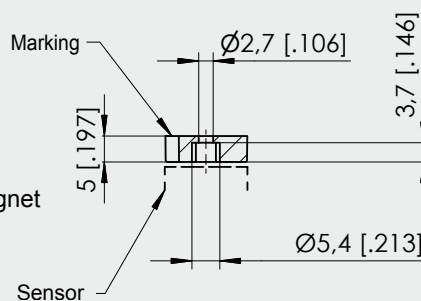


**PRMAG21**



Weight 3 g (0.11 oz.) approx.,  
moment of inertia 0.1 kgmm<sup>2</sup>

A misalignment of the position magnet  
has an effect on the linearity



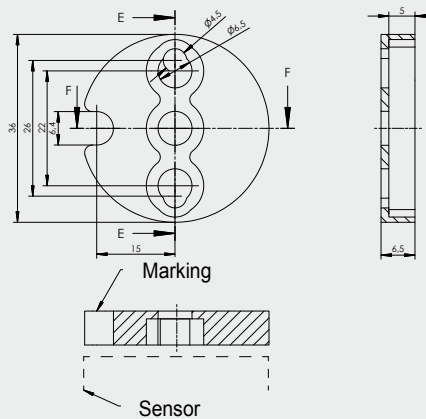
Dimensions in mm [inch]

Dimensions informative only.  
For guaranteed dimensions please consult factory.

**PRMAG22**

Weight 17 g (0.6 oz.) approx.,  
moment of inertia 3 kgmm<sup>2</sup>

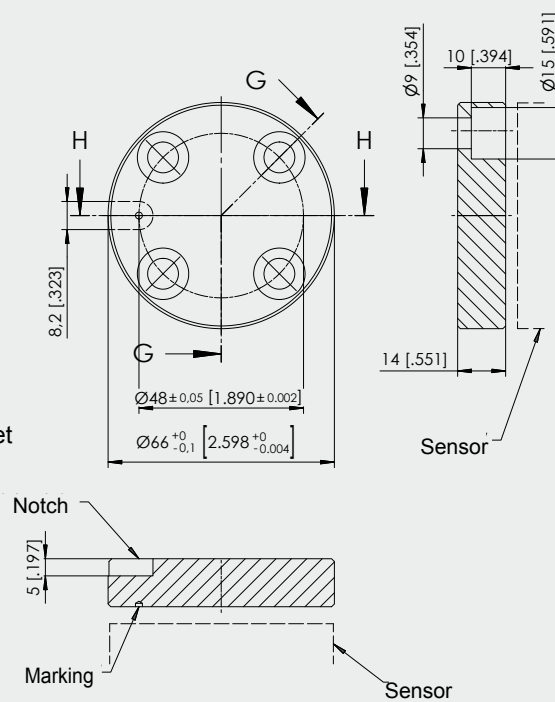
A misalignment of the position magnet  
has an effect on the linearity



**PRMAG5Z**

Weight 100 g (3.52 oz.) approx.,  
moment of inertia 55 kgmm<sup>2</sup>

A misalignment of the position magnet  
has an effect on the linearity



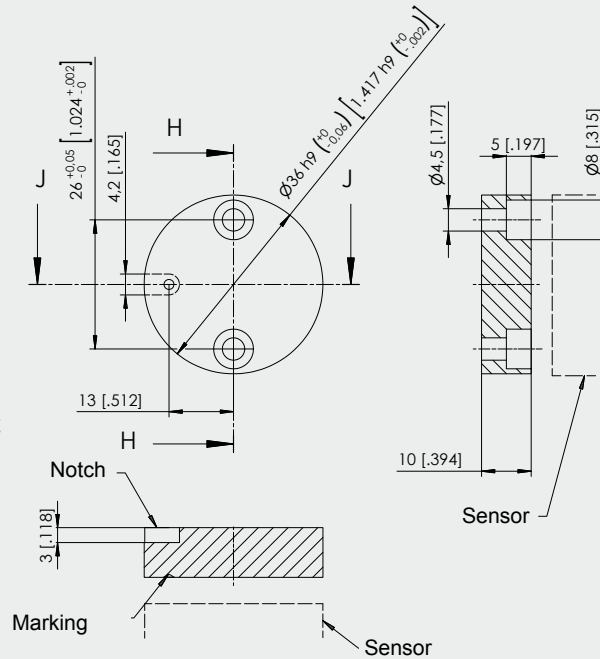
Dimensions in mm [inch]

Dimensions informative only.

For guaranteed dimensions please consult factory.

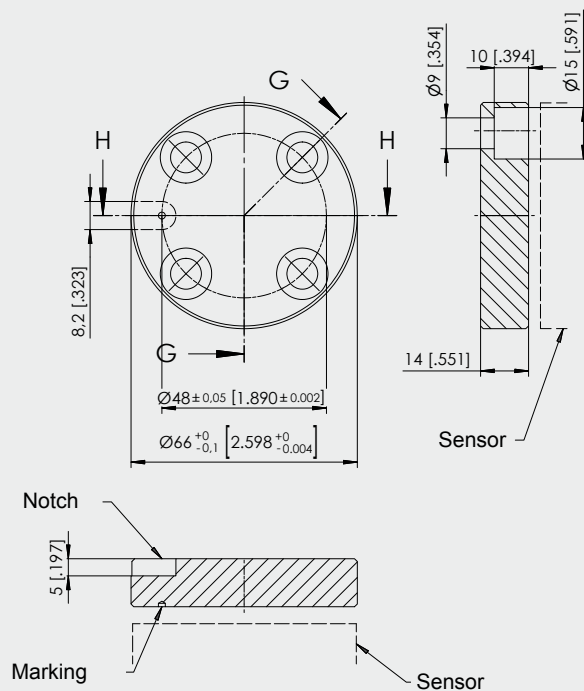
**PRMAG2Z-EX**

Weight 22 g (1.06 oz.) approx.  
 moment of inertia 4,5 kgmm<sup>2</sup>  
 A misalignment of the position magnet  
 has an effect on the linearity



**PRMAG5-EX**

Weight 275 g (9.7 oz.) approx.  
 moment of inertia 150 kgmm<sup>2</sup>  
 A misalignment of the position magnet  
 has an effect on the linearity

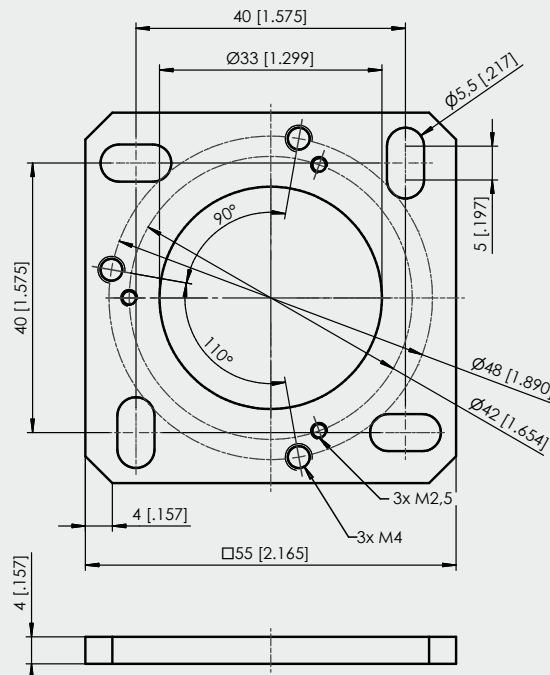


**EX - Explanation (II 3D Ex tD A22 IP65 T80°C X)**

- II** = for all Explosive Areas, excluding Surface and Underground Mining Systems
- 3D** = Equipment Category 3, applicable in Zone 22; D = dust
- Ex** = meets the requirements of the European Ex-Directive
- tD** = type of ignition protection: protection by enclosure "tD"
- A22** = measurement of the surface temperature acc. to procedure A for applications in Zone 22
- IP65** = IP Protection Class
- T80°C** = maximum surface temperature
- X** = tested with low impact energy

**PRPT-BPL1**

(screw mounting)  
 For PRAS2, PRDS2,  
 PRAS3, PRDS3



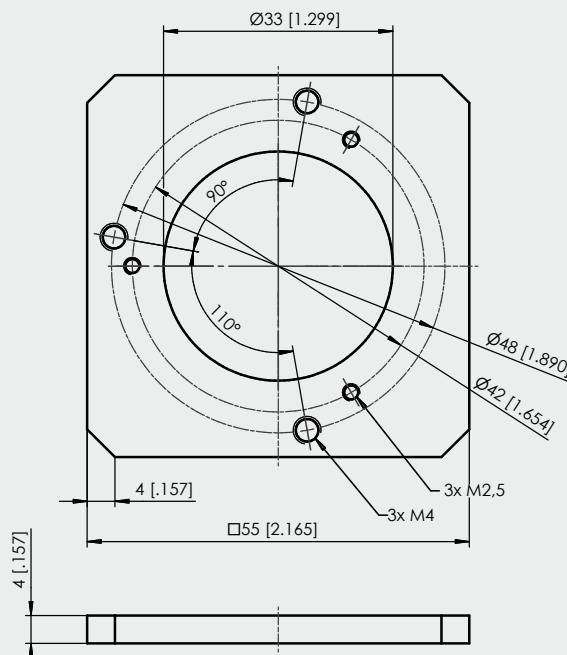
In combination with the  
 mounting clamps  
 PRPT-BFS1 (3 x M2.5)  
 or in combination with  
 the mounting bracket  
 PRPT-BFS2 (3 x M4).

Dimensions in mm [inch]

Weight 30 g (1.06 oz.) approx.  
 Dimensions informative only.  
 For guaranteed dimensions please consult factory.

**PRPT-BPL2**

(welding assembly)  
 For PRAS2, PRDS2,  
 PRAS3, PRDS3

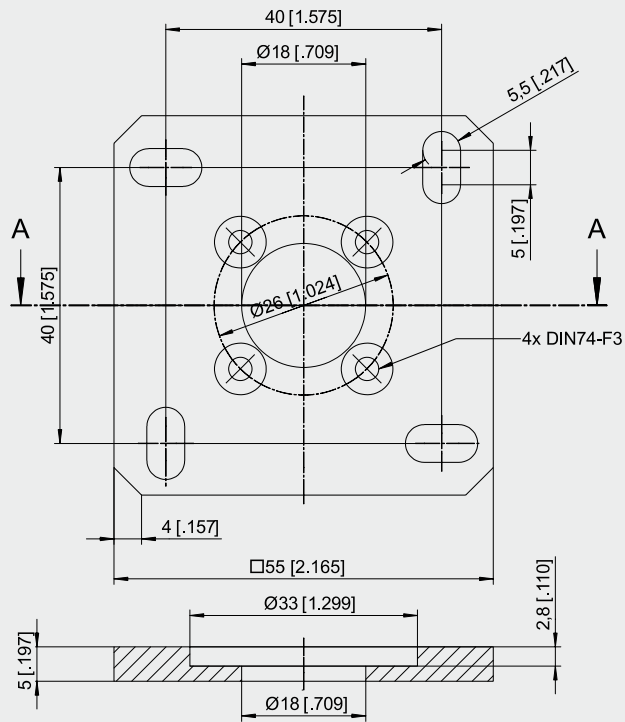


In combination with the  
 mounting clamps  
 PRPT-BFS1 (3 x M2.5)  
 or  
 in combination with the  
 mounting bracket  
 PRPT-BFS2 (3 x M4).



**PRPT-BPL3**

For PRAS3, PRDS3



Dimensions in mm [inch]

Weight 30g (1.06 oz.) approx.

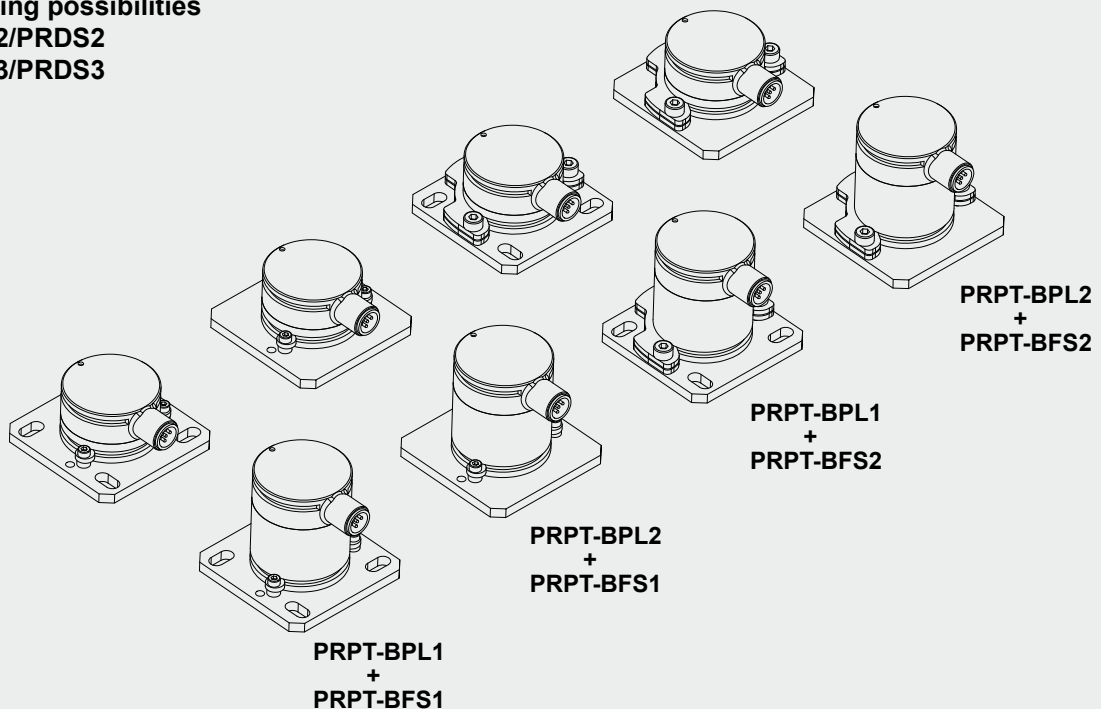
Dimensions informative only.

For guaranteed dimensions please consult factory.

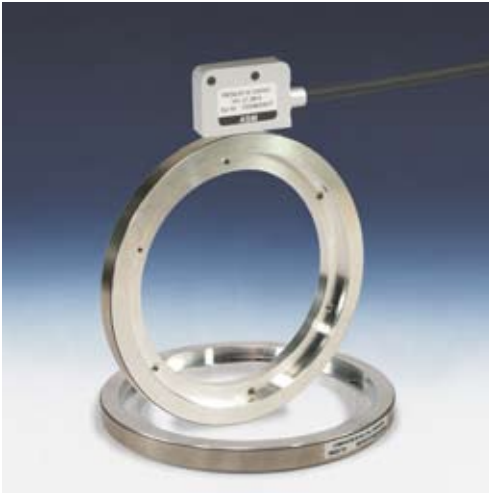
**Mounting possibilities**

**PRAS2/PRDS2**

**PRAS3/PRDS3**

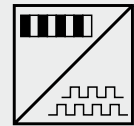


**POSIROT®**  
**PMIS4, PMIR5**  
**Magnetic incremental encoder**



**Magnetic wheels for rotative applications with POSIROT® position sensor PMIS4**

- All metal housing
- Protection class IP67
- Highest EMC protection
- Large guiding distance of  $\pm 0.04$  in.
- Suitable for harsh environments
- Up to 327,680 pulses/360°



**Order Code PMIR5**  
(magnet ring)

Model name: **PMIR5** - [ ] - [ ] - [ ] - [ ] - [ ]

**Magnetic period**  
50 = .2 in. (5 mm)

**Number of poles**  
64 / 96 / 160 (other pole numbers on request)

**Z signal mark**  
O = without / M = with

**Inner diameter (mounting)**  
83/133/233 (depending on the number of poles, see page 62/63)

**Option**  
AB = Masking tape

**Order Code PMIS4**  
(sensor head)

Model name: **PMIS4** - [ ] - [ ] - [ ] **KHZ** - [ ] - [ ] - [ ] **M** - [ ]

**Magnetic period**  
50 = .2 in. (5 mm)

**Scaling factor**  
See table page 61

**Maximum pulse frequency (in kHz, standard 50 kHz)**  
50 / 20 / 10 (other frequencies on request, max. 480 kHz)

**Output**  
HTL = HTL output with excitation 24 V DC, output 24 V  
TTL = TTL output with excitation 5 V DC, output TTL/RS422  
TTL24V = TTL output with excitation 24 V DC, output TTL/10 mA

**Signal Z / status signal**  
Z0 = A/B w/o signal Z  
Z1 = A/B with signal Z  
Z3 = A/B with signal Z and status signal, only for non-differential (single-ended) outputs

**Cable length (in ft., standard 6.56 ft.)**

**Connection**  
S = Open cable end  
P15 = D-Sub connector at the cable end, 15 poles

**Order example position magnet ring: PMIR5 - 50 - 64 - M - 83 - AB**

**Order example sensor: PMIS4 - 50 - 100 - 50KHZ - HTL - Z0 - 2M - S**

# POSIROT® PMIS4 Magnetic incremental encoder



<b>Specifications</b>	Output	Incremental encoder output A/B with differential push-pull output, TTL/24 V-, TTL/RS-422- or HTL-compatible	
	Excitation voltage	10 ... 30 V DC or 5 V DC ± 5 %	
	Excitation current	50 mA to 300 mA, depending on pulse frequency, cable length and load	
	Magnetic period of the sensor	.08 in. (2 mm)	.02 in. (5 mm)
	Guided spacing between sensor and wheel $x_z$	.004 in. ... .03 in.	.004 in. ... .08 in.
	Side tracking tolerance of the sensor	±.04 in. (±1 mm)	±.04 in. (±1 mm)
	Linearity (sensor with magnetic wheel PMIR4)	±0.1°	±0.1°
	Repeatability	±1 digit	±1 digit
	Maximum pulse frequency $f_p$	50, 20, 10 kHz (standard 50 kHz, max. 480 kHz)	
	Output signals	A, $\bar{A}$ , B, $\bar{B}$ signal Z, $\bar{Z}$ (optional) status signal ERR (optional)	
	Material of housing	Zinc die casting	
	Connection	Cable 8 wire, dia. .2 in., open cable end. 15 pin D-Sub conn. at the cable end as option. Max. length of the integrated sensor cable: output TTL: 9.84 ft. (3 m); HTL/TTL24V: 65.6 ft. (20 m)	
	Weight (w/o cable and connector)	30 ±5 g (1.06 oz. ±.18 oz.)	
	Protection class (EN 60529)	IP67	
	Environmental		
	Shock	EN60068-2-27:1993, 50 g 6 ms, 100 shocks	
	Vibration	EN60068-2-6:1995, 20 g, 10-2000 Hz, 10 cycles	
EMC	EN61326-1:2006		
Temperature	-40 ... +185 °F		



The subsequent counting device must be able to process the specified maximum pulse frequency of the sensor.

<b>Output signals</b>	Saturation voltage	UH, UL = 0.2 V UH, UL = 0.4 V $C_{load} < 10 \text{ nF}$	$I_{out} = \pm 10 \text{ mA}$ $I_{out} = \pm 30 \text{ mA}$	(UH = UB - $U_{out}$ )
	Short circuit current	ISL, ISH < 800 mA ISL, ISH < 90 mA	(UH, UL = 0 V) (UH, UL = 1.5 V)	
	Rise time	$t_r, t_f < 200 \text{ ns}$	with cable length 1 m, 10 % ... 90 %	

<b>Pulse frequency in dependence on the cable length</b>	<b>Load/cable length</b>	<b>Load/pulse frequency <math>f_p</math></b>		
		<b>HTL single ended</b> UB = 24 V	<b>TTL/RS422 differential</b> UB = 5 V *	<b>TTL/24 V</b> UB = 24 V
	Max. output current	50 mA	50 mA	10 mA
	$R_{load} \text{ min.}$	500 $\Omega$	100 $\Omega$	500 $\Omega$
	$C_{load} \text{ max.}$	10 nF	10 nF	1 nF
	656 ft. (200 m)	15 kHz	—	—
	328 ft. (100 m)	25 kHz	100 kHz	—
	164 ft. (50 m)	50 kHz	200 kHz	50 kHz
	32.8 ft. (10 m)	100 kHz	300 kHz	100 kHz

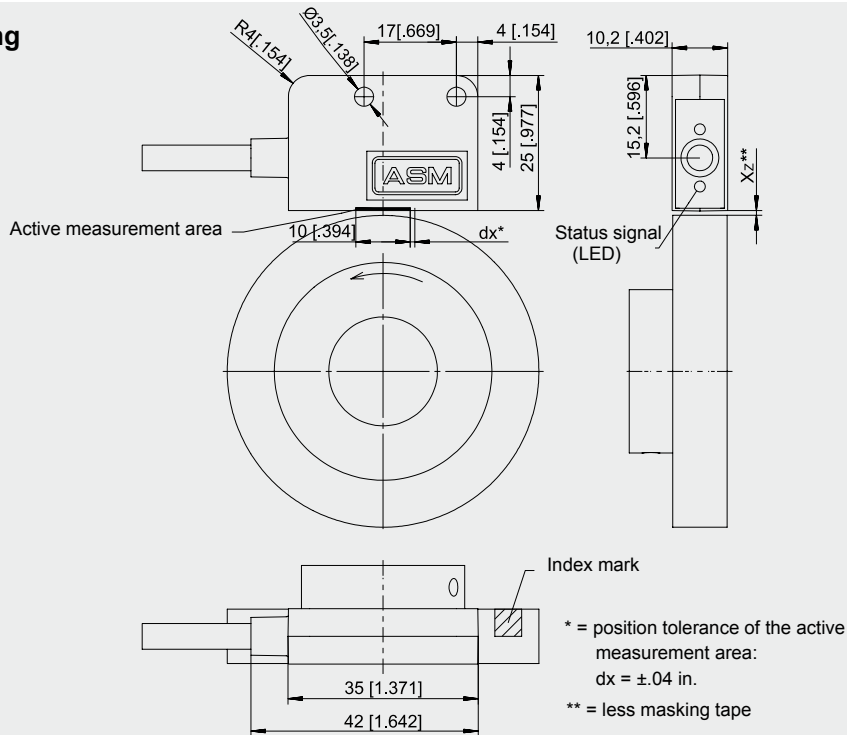
\* = consider the voltage loss of the cable; the excitation voltage 5 V ± 5% of the sensor must be guaranteed.

**Note:** For longer distances (see specification above) you must use min. AWG21 wire for „Excitation+“ and „Excitation GND“ (see signal wiring next page), all signal wires must be min. AWG26!

# POSIROT® PMIS4 Dimensions

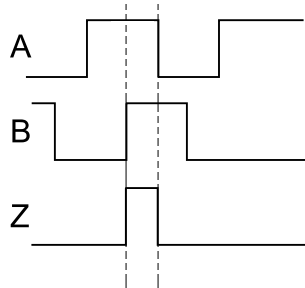


## Outline drawing PMIS4



## Output signals

### Option Z1 (signal Z)



Dimensions in mm [inch]

Dimensions informative only.

For guaranteed dimensions please consult factory.

## Signal wiring

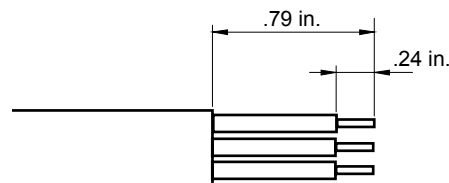
Signal name	Option			Cable with open end, cable color	Connector D-Sub, pin no. 15 poles
	Z0	Z1	Z3 *		
Excitation +				white	1
Excitation GND (0 V)				brown	2
	B	B	B	green	6
	A	A	A	yellow	4
	$\bar{B}$	$\bar{B}$	$\overline{ERR}$	grey	7
	$\bar{A}$	$\bar{A}$	-	pink	5
	-	Z	Z	blue	8
	-	$\bar{Z}$	-	red	9
Shield				black	12

Z = reference pulse

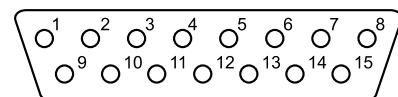
ERR = status signal, periodical approx. 16 Hz, for side tracking and velocity errors

\* = status signal ERR available only with HTL (single ended) output

## Connection



Cable output dimensions



Connector D-Sub (Pin)  
View to connector pins

# POSIROT® PMIR5 Incremental magnetic wheels



Specifications	Material	Plastic bonded magnetic scale
	Base material	Aluminum, stainless steel
	Poles per revolution	64 / 96 / 160 poles per revolution
	Magnetic period	0.2 in.
	Temperature range	-40 ... -248 °F
	Linearity with sensor PMIS4	Approx. ± 0.1°

## Standard magnet rings

Type	Poles	Ø [in.]	Width	Signal periods/revolution	Inner diameter Ø
PMIR5-50-64-O/M-83	64	4.03	.551 in.	Divisions see table below	3.27 in. H7
PMIR5-50-96-O/M-133	96	6.03	.551 in.	Divisions see table below	5.24 in. H7
PMIR5-50-160-O/M-233	160	10.04	.551 in.	Divisions see table below	9.27 in. H7

Position magnet rings with other number of poles, diameters or magnetic periods on request.

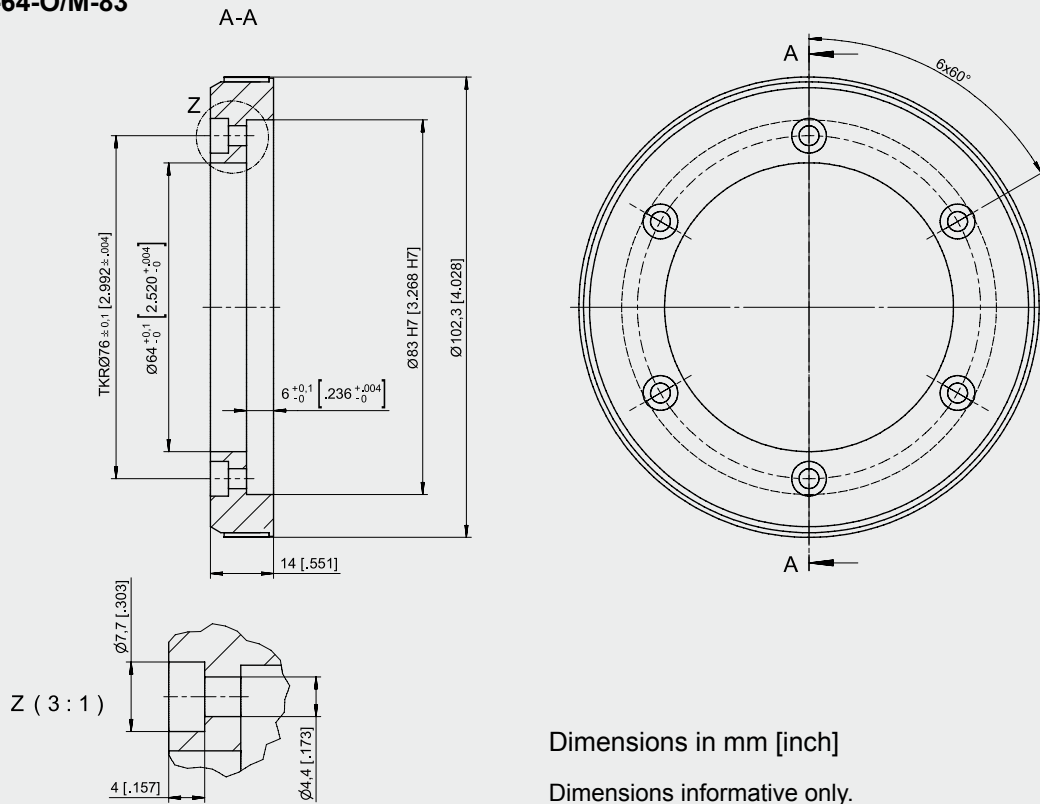
Scaling factor sensor PMIS4-50- ...	PMIR5-50-64-O/M-83		PMIR5-50-96-O/M-133		PMIR5-50-160-O/M-233	
	Signal periods	R.p.m. * (at 480 kHz)	Signal periods	R.p.m. * (at 480 kHz)	Signal periods	R.p.m. * (at 480 kHz)
1	64	3000	96	3000	160	3000
2	128	3000	192	3000	320	3000
4	256	3000	384	3000	640	3000
8	512	3000	768	3000	1280	3000
10	640	3000	960	3000	1600	1800
16	1024	3000	1536	3000	2560	3000
20	1280	3000	1920	3000	3200	1800
25	1600	3000	2400	3000	4000	2880
32	2048	3000	3072	3000	5120	3000
40	2560	3000	3840	3000	6400	1800
50	3200	3000	4800	3000	8000	2880
64	4096	3000	6144	3000	10 240	2250
80	5120	3000	7680	3000	12 800	1800
100	6400	3000	9600	2400	16 000	1440
125	8000	2880	12 000	1920	20 000	1152
128	8192	2813	12 288	1875	20 480	1125
200	12 800	1800	19 200	1200	32 000	720
250	16 000	1440	24 000	960	40 000	576
256	16 384	1406	24 576	938	40 960	563
400	25 600	900	38 400	600	64 000	360
500	32 000	720	48 000	480	80 000	288
512	32 768	703	49 152	469	81 920	281
1024	65 536	352	98 304	234	163 840	141
2048	131 072	176	196 608	117	327 680	70

\* Maximum r.p.m. mechanically 3.000 U/min

**POSIROT®**  
**PMIR5**  
**Dimensions**



**Outline drawing**  
**PMIR5-50-64-O/M-83**

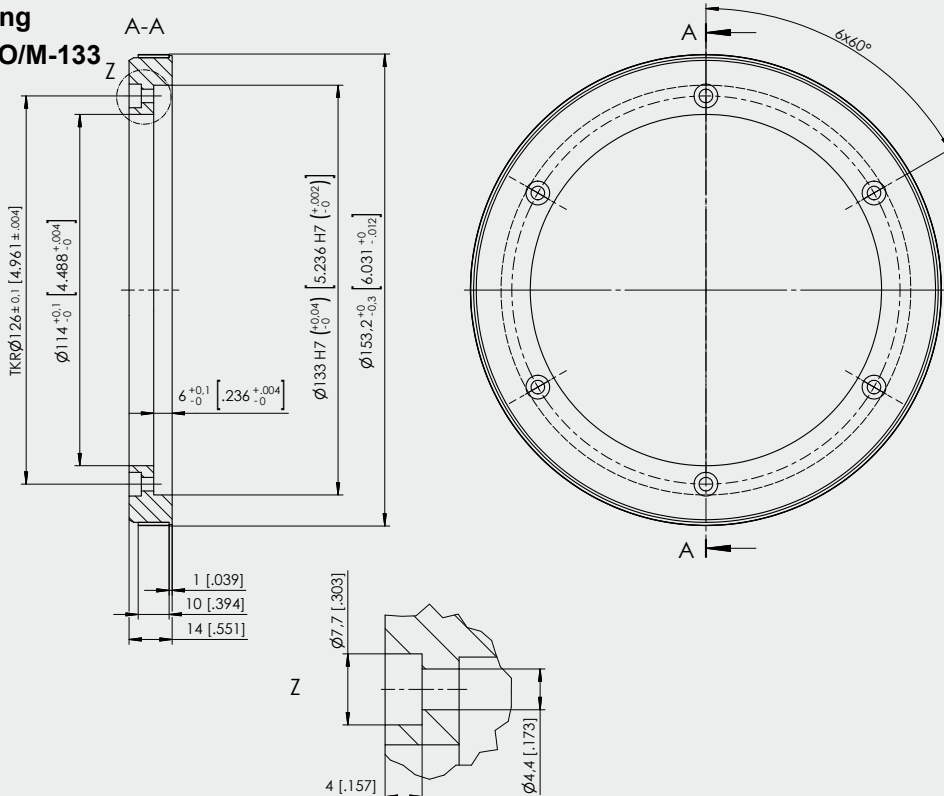


Dimensions in mm [inch]

Dimensions informative only.

For guaranteed dimensions please consult factory.

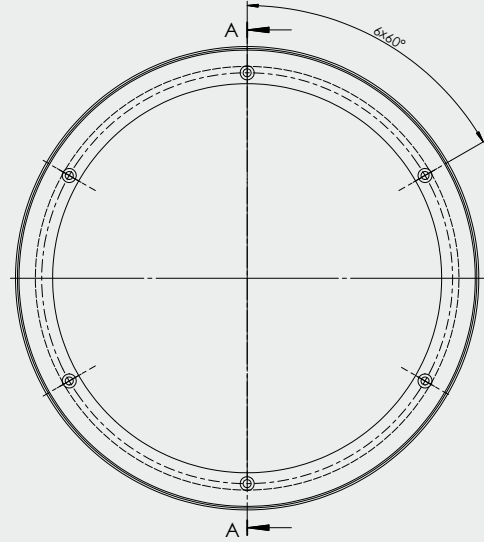
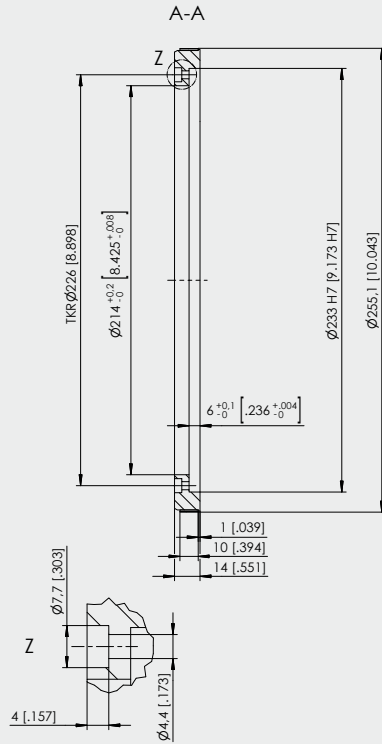
**Outline drawing**  
**PMIR5-50-96-O/M-133**



**POSIROT®**  
**PMIR5**  
**Dimensions**



**Outline drawing**  
**PMIR5-50-160-O/M-233**



Dimensions in mm [inch]

Dimensions informative only.

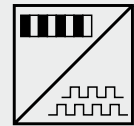
For guaranteed dimensions please consult factory.

# POSIROT® PMIS4, PMIR7, PMIR7N Incremental magnetic encoder rings



## Magnetic rings for rotative applications with POSIROT® position sensor PMIS4

- All metal housing (sensor head PMIS4)
- Protection class IP67
- Highest EMC protection
- Large guiding distance of  $\pm 1$  mm
- Suitable for harsh environments
- Up to 184,320 pulses/360°
- For shaft diameters of 0.79, 1.06, 1.38 and 1.97 in.
- Magnet rings with index mark



### Order Code PMIR7/PMIR7N (magnetic ring)

PMIR7(N) - [ ] - [ ]

**Model name**

PMIR7

PMIR7N

**Magnetic period**

20 = .08 in. (2 mm)

**Number of poles and inner diameter [in mm]**

PMIR7: 50 - M - 27	PMIR7N: 50 - M - 20
64 - M - 35	64 - M - 20
90 - M - 50	90 - M - 20

### Order Code PMIS4 (sensor head)

For specifications see page 59

PMIS4 - [ ] - [ ] - [ ] KHZ - [ ] - [ ] - [ ] M - [ ]

**Model name**

**Magnetic period**

20 = 2 mm

**Scaling factor**

See table page 65

**Maximum pulse frequency (in kHz, standard 50 kHz)**

50 / 20 / 10 (other frequencies on request, max. 480 kHz)

**Output**

HTL = HTL output with excitation 24 V DC, output 24 V

TTL = TTL output with excitation 5 V DC, output TTL/RS422

TTL24V = TTL output with excitation 24 V DC, output TTL/10 mA

**Signal Z / status signal**

Z0 = A/B w/o signal Z

Z1 = A/B with signal Z

Z3 = A/B with signal Z and status signal, only for non-differential (single-ended) outputs

**Cable length (in m, standard 2 m (6.56 ft.))**

**Connection**

S = Open cable end

Order example magnet ring: PMIR7 - 20 - 64 - M - 35

Order example sensor head: PMIS4 - 20 - 100 - 50KHZ - HTL - Z0 - 2M - S



# POSIROT® PMIR7, PMIR7N Incremental magnetic encoder rings



<b>Specification</b>	Material	Elastomer bonded hard ferrite
	Base material	PMIR7: stainless steel, PMIR7N: aluminum
	Poles per revolution	50 / 64 / 90 poles/360°
	Magnetic period	.08 in. (2 mm)
	Temperature range	-40 ...+185°F
	Linearity with sensor PMIS4	Approx. ± 0.1°

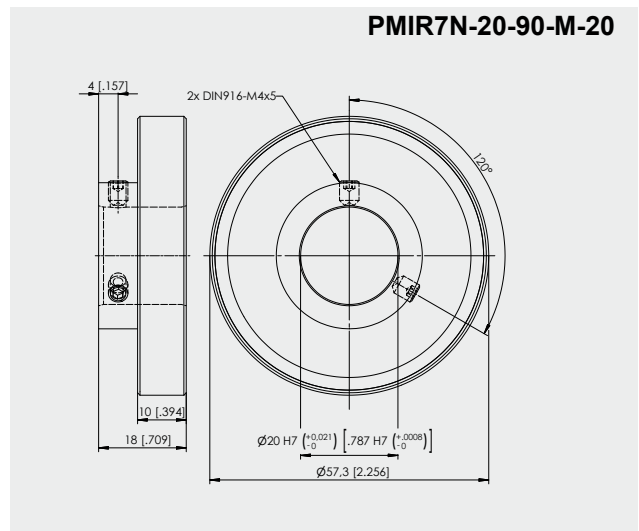
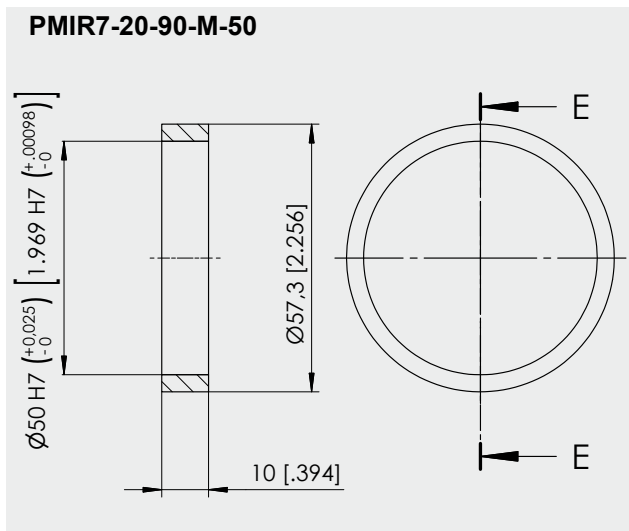
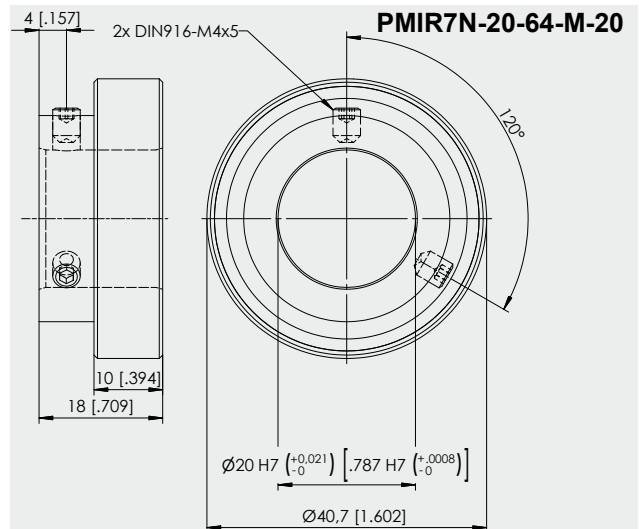
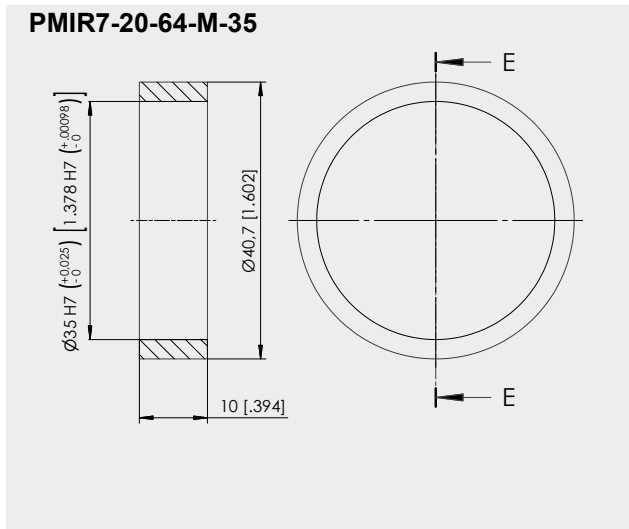
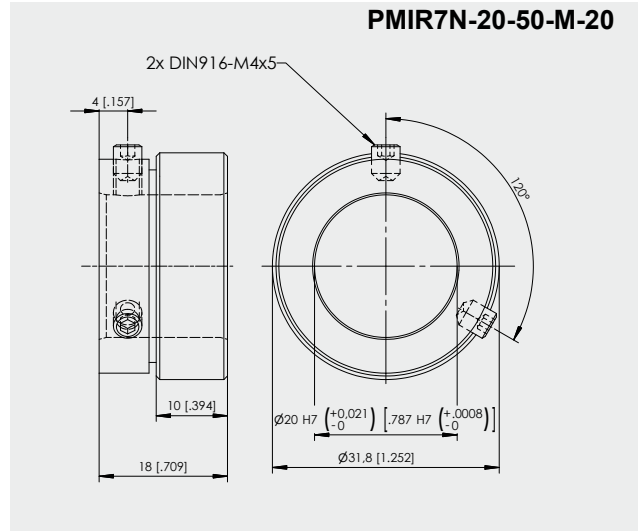
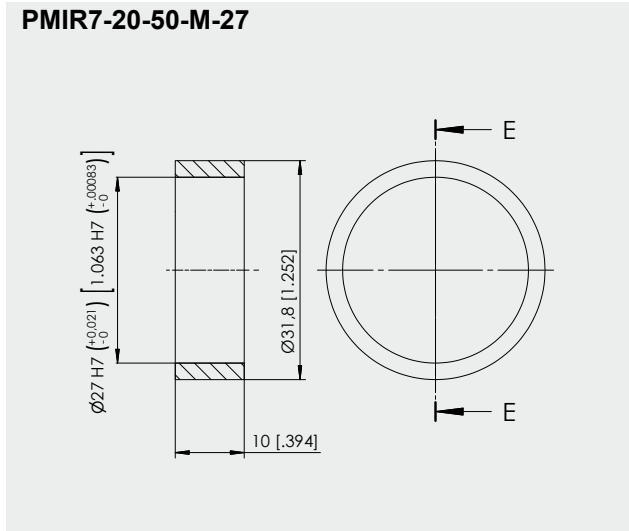
## Standard magnetic wheels

Type	Poles	∅	Width	Signal periods/rotation	Inside diameter
PMIR7(N)-20-50-M-27(20)	50	1.25 in.	.39 in.	decade division (refer to the table below)	27H7 (20H7)
PMIR7(N)-20-64-M-35(20)	64	1.6 in.	.39 in.	binary division (refer to the table below)	35H7 (20H7)
PMIR7(N)-20-90-M-50(20)	90	2.26 in.	.39 in.	vernier (refer to the table below)	50H7 (20H7)

Scaling factor Sensor PMIS4-20- ...	PMIR7(N)-20-50-M-27(20)		PMIR7(N)-20-64-M-35(20)		PMIR7(N)-20-90-M-50(20)	
	Signal periods	R.p.m. * (at 480 kHz)	Signal periods	R.p.m. * (at 480 kHz)	Signal periods	R.p.m. * (at 480 kHz)
1	50	6000	64	6000	90	6000
2	100	6000	128	6000	180	6000
4	200	6000	256	6000	360	6000
8	400	6000	512	6000	720	6000
10	500	5760	640	4500	900	3200
16	800	6000	1024	6000	1440	6000
20	1000	5760	1280	4500	1800	3200
25	1250	6000	1600	6000	2250	5120
32	1600	6000	2048	6000	2880	6000
40	2000	5760	2560	4500	3600	3200
50	2500	6000	3200	6000	4500	5120
64	3200	6000	4096	5625	5760	4000
80	4000	5760	5120	4500	7200	3200
100	5000	4608	6400	3600	9000	2560
125	6250	3686	8000	2880	11 250	2048
128	6400	3600	8192	2813	11 520	2000
200	10 000	2304	12 800	1800	18 000	1280
250	12 500	1843	16 000	1440	22 500	1024
256	12 800	1800	16 384	1406	23 040	1000
400	20 000	1152	25 600	900	36 000	640
500	25 000	922	32 000	720	45 000	512
512	25 600	900	32 768	703	46 080	500
1024	51 200	450	65 536	352	92 160	250
2048	102 400	225	131 072	176	184 320	125

\* Maximum revolution per minute mechanically 6.000 R.p.m.

**POSIROT®**  
**PMIR7, PMIR7N**  
**Dimensions**



Dimensions in mm [inch]

Dimensions informative only.

For guaranteed dimensions consult factory.

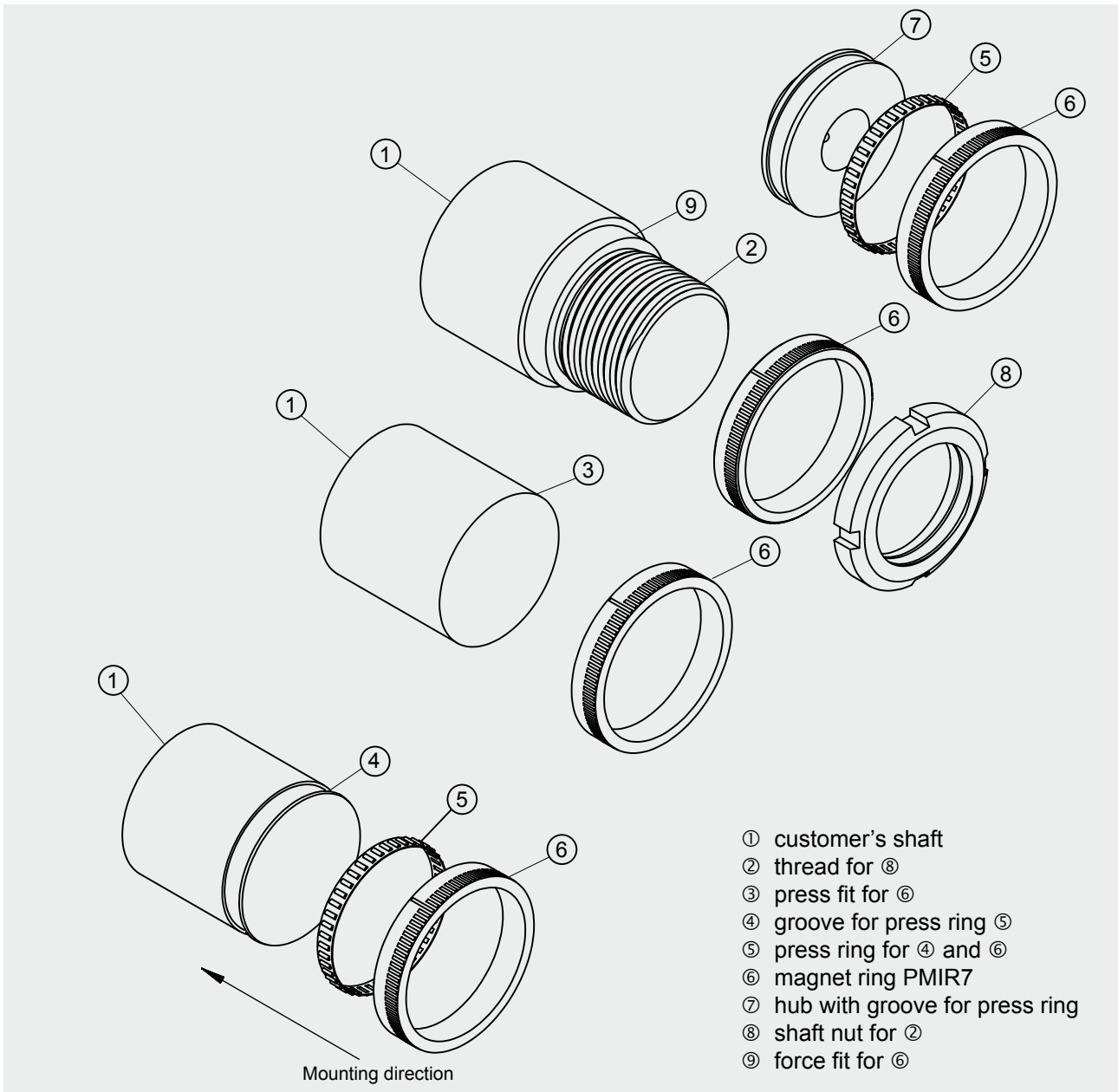
# POSIROT® PMIR7, PMIR7N Incremental magnetic encoder rings



## How to mount the PMIR7/PMIR7N magnet rings

The PMIR7/PMIR7N magnet rings can be mounted in several ways on the customer's shaft resp. hub:

- press ring
- press fit
- bonding
- shaft nut

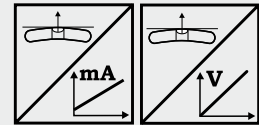


- ① customer's shaft
- ② thread for ⑧
- ③ press fit for ⑥
- ④ groove for press ring ⑤
- ⑤ press ring for ④ and ⑥
- ⑥ magnet ring PMIR7
- ⑦ hub with groove for press ring
- ⑧ shaft nut for ②
- ⑨ force fit for ⑥



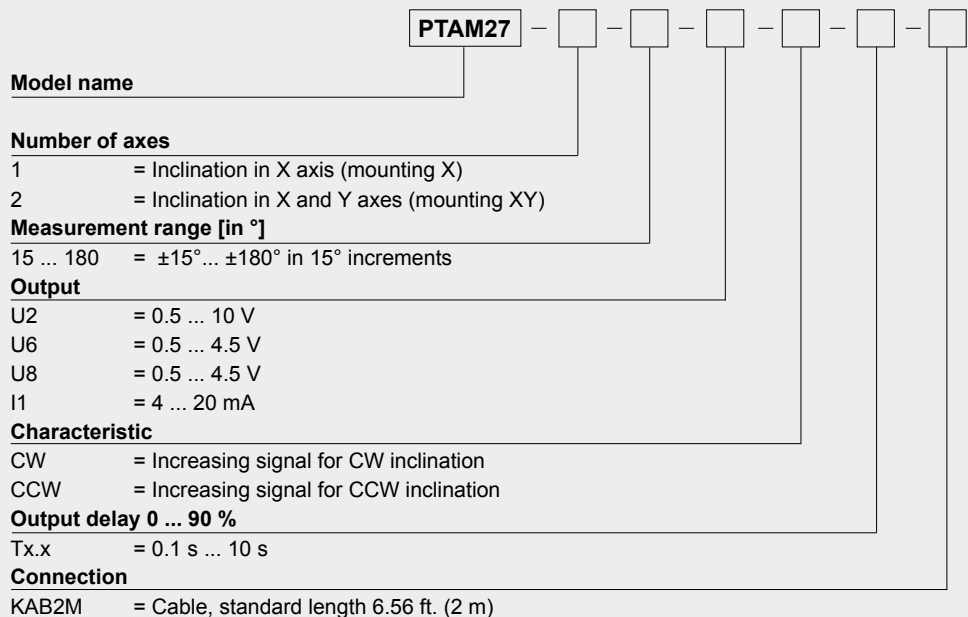
**Analog Inclinometer for 1 axis or 2 axes in MEMS technology**

- Measurement range  $\pm 180^\circ$  with 1 axis or 2 axes
- Protection class IP67
- Linear analog output
- Plastic housing
- Wear free, high resolution
- High shock resistance



<b>Specifications</b>	Output /Excitation	U2	Voltage 0.5 ... 10 V / $U_B = 18 \dots 36$ V
		U6	Voltage 0.5 ... 4.5 V / $U_B = 5$ V DC $\pm 5\%$
		U8	Voltage 0.5 ... 4.5 V / $U_B = 10 \dots 36$ V
		I1	Current 4 ... 20 mA / $U_B = 18 \dots 36$ V, 10 ... 36 V
	Measurement range		$\pm 15 \dots \pm 180^\circ$ with 1 axe or 2 axes
	Resolution		0.1°
	Linearity		1 axis : $\pm 0.5^\circ$ ( $\leq \pm 75^\circ$ ), $\pm 1^\circ$ ( $> \pm 75^\circ$ ) 2 axes : $\pm 1^\circ$ ( $\leq \pm 75^\circ$ ), $\pm 1.5^\circ$ ( $> \pm 75^\circ$ )
	Settling time		0.1 ... 10 s / 90 %, configurable
	Protection class		IP67
	Material		Plastic
	Connection		Cable 5 x AWG24
Shock (non-operational)		EN60068-2-27:1993, 100 g/11 ms, 100 shocks	
Vibration (non-operational)		EN60068-2-6:1995, 20 g/10 Hz-2 kHz, 10 cycles	
EMC, temperature		Refer to output specification	

**Order code PTAM27**



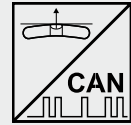
**Order example: PTAM27 - 1 - 90 - U6 - CCW - T1.0 - KAB2M**

**Universal MEMS Inclinometer with CANopen Output**



**Digital Inclinometer for 1 axis or 2 axes in MEMS technology**

- Measurement range  $\pm 180^\circ$  with 1 axis or  $\pm 60^\circ$  with 2 axes
- Protection class IP67
- CANopen output
- Plastic housing
- Wear free, high resolution
- High shock resistance



Specifications		
Output		CANopen (profile „Inclinometer“)
Measurement range		$\pm 180^\circ$ with 1 axis or $\pm 60^\circ$ with 2 axes
Resolution		0.05 °
Linearity		$\pm 0.5^\circ$
Settling time		0.1 s ... 10 s / 90%, configurable
Protection class		IP67
Material		Plastic
Connection		5 pin connector M12 with cable, fixed length 11.81 in.
Shock (non-operational)		EN60068-2-27:1993, 100 g/11 ms, 100 shocks
Vibration (non-operational)		EN60068-2-6:1995, 20 g/10 Hz-2 kHz, 10 cycles
EMC, temperature		Refer to output specification

**Order code PTDM27**

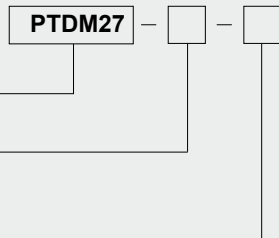
**Model name**

**Output**

- CANOP = CANopen
- CANJ1939 = CAN SAE J1939

**Connection**

KAB0,3M-M12/CAN = Cable, length 11.81 in. (0.3 m) with connector M12, 5 pin



Order code connector cable (see accessoires page 91 )

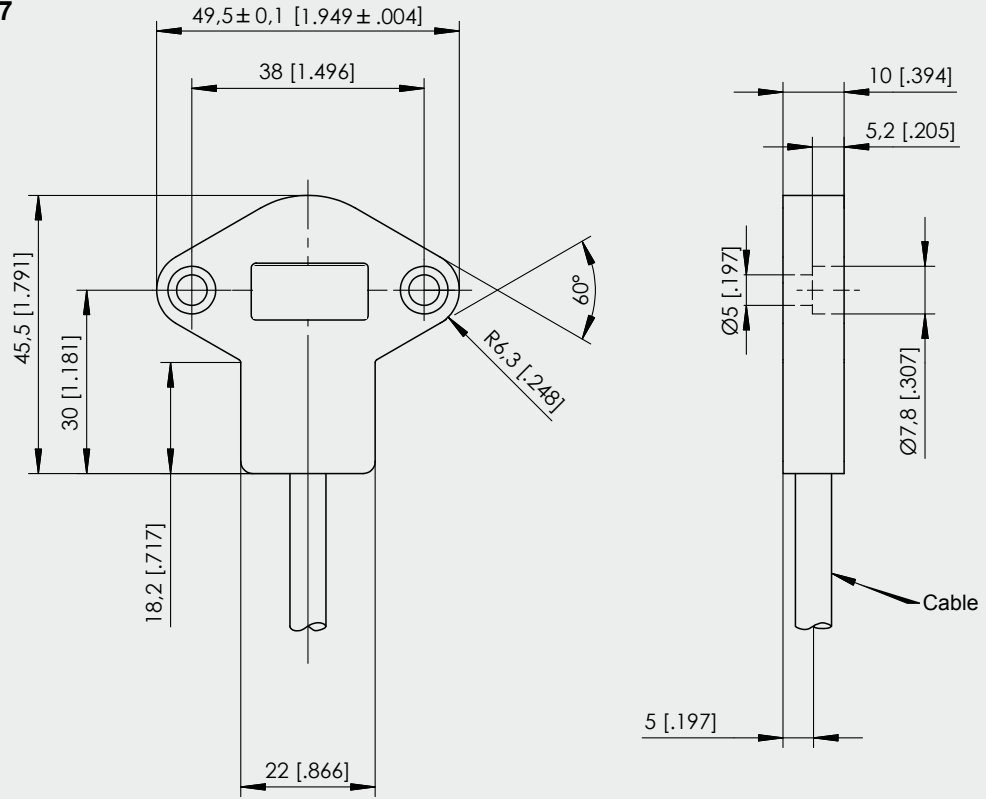
**KAB - XM - M12/5F/G - M12/5M/G - CAN**

**Order example: PTDM27 - CANOP - KAB0,3M-M12/CAN**

**POSITILT®**  
**PTAM27/PTDM27**  
**Dimensions**



**Outline drawing**  
**PTAM27/PTDM27**

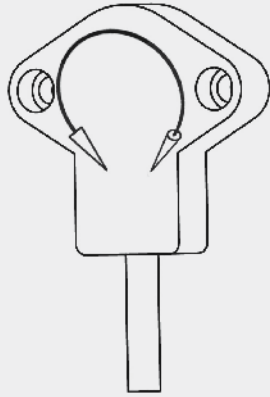


Dimensions in mm [inch]  
Dimensions informative only.  
For guaranteed dimensions consult factory.

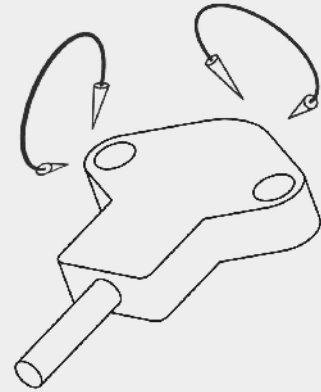
**POSITILT®**  
**PTAM27/PTDM27**  
**Dimensions**



Orientation of the  
inclination axes



1 axis



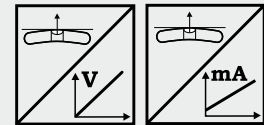
2 axes

**POSITILT®**  
**PTAM2**  
**Robust Inclinometer with Analog Output**



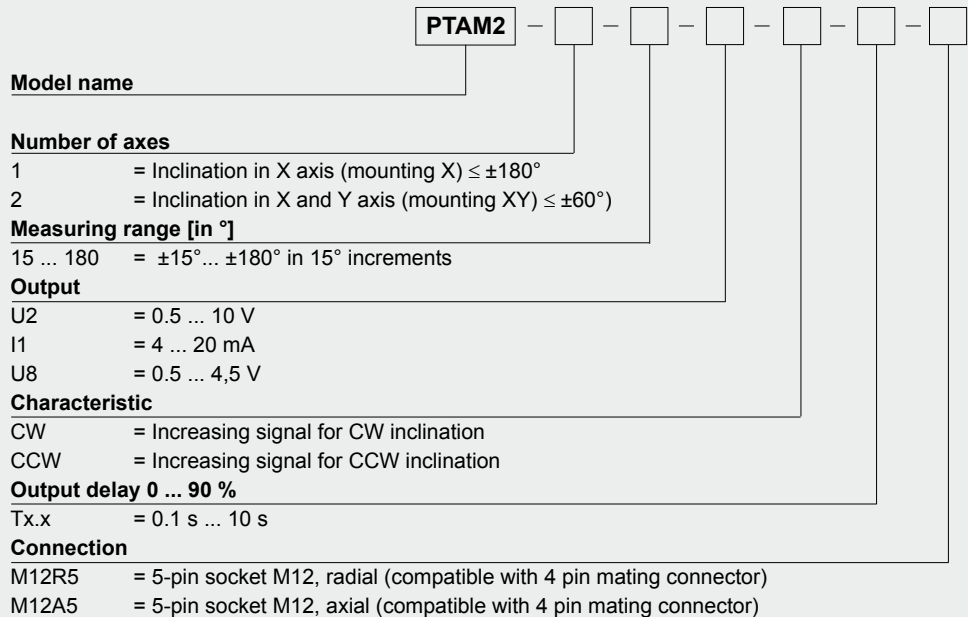
**Analog Inclinometer for 1 or 2 axes  
in MEMS technology**

- Measurement range  $\pm 180^\circ$  for 1 axis or  $\pm 60^\circ$  for 2 axes
- Protection class IP67 / IP69K
- Analog output linear
- Aluminum
- Wear free, high resolution
- High shock resistance
- Servo flange mounting



Specifications	Output	U2	Voltage 0.5 ... 10 V / $U_B = 18 \dots 36$ V
			U8
		I1	Current 4 ... 20 mA / $U_B = 18 \dots 36$ V, 10 ... 36 V
	Measurement range		$\pm 15 \dots \pm 180^\circ$ for 1 axis or $\pm 60^\circ$ for 2 axes
	Resolution		0.05°
	Linearity		0.5°
	Settling time		0.1 s ... 10 s / 90 %, configurable
	Protection class		IP67/IP69K (connector output with IP69K connector cable)
	Material		Aluminum
	Connection		5 pin connector M12 axial or radial
	Shock (non-operational)		EN60068-2-27:1993, 100 g/11 ms, 100 shocks
	Vibration (non-operational)		EN60068-2-6:1995, 20 g/10 Hz-2 kHz, 10 cycles
	EMC, temperature		Refer to output specification

**Order code PTAM2**



Order code connector cable (see accessories page 90)

**KAB...M-M12/4F/G-LITZE**

**Order example: PTAM2 - 1 - 180 - I1 - CW - T1.0 - M12R5**

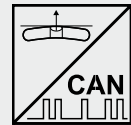


**POSITILT®**  
**PTDM2**  
**Robust Inclinometer with CANopen Output**



**Digital Inclinometer for 1 axis or 2 axes in MEMS technology**

- Measurement range  $\pm 180^\circ$  for 1 axis or  $\pm 60^\circ$  for 2 axes
- Protection class IP67 / IP69K
- CANopen output
- Aluminum
- Wear free, high resolution
- High shock resistance
- Servo flange mounting



<b>Specifications</b>	Output	CANopen (profile „Inclinometer“)
	Measurement range	$\pm 180^\circ$ for 1 axis or $\pm 60^\circ$ for 2 axes
	Resolution	0.05 °
	Linearity	$\pm 0.5^\circ$
	Settling time	0.1 s ... 10 s / 90%, configurable
	Protection class	IP67/IP69K (connector output with IP69K connector cable)
	Material	Aluminum
	Connection	5 pin connector M12 axial or radial
	Shock (non-operational)	EN60068-2-27:1993, 100 g/11 ms, 100 shocks
	Vibration (non-operational)	EN60068-2-6:1995, 20 g/10 Hz-2 kHz, 10 cycles
EMC, temperature	Refer to output specification	

**Order Code PTDM2**

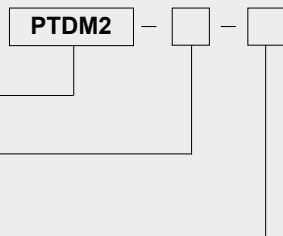
**Model name**

**Output**

- CANOP = CANopen
- CANJ1939 = CAN SAE J1939

**Connection**

- M12R5/CAN = 5-pin socket M12, radial
- M12A5/CAN = 5-pin socket M12, axial



Order code connector cable (see accessories page 91)

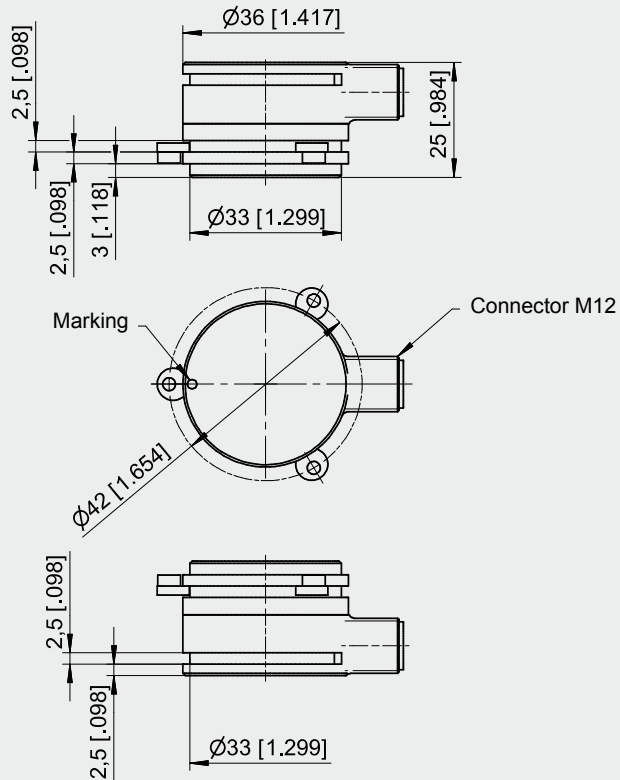
**KAB - XM - M12/5F/G - M12/5M/G - CAN**

**Order example: PTDM2 - CANOP - M12R5/CAN**

**POSITILT®**  
**PTAM2**  
**Inclinometer**



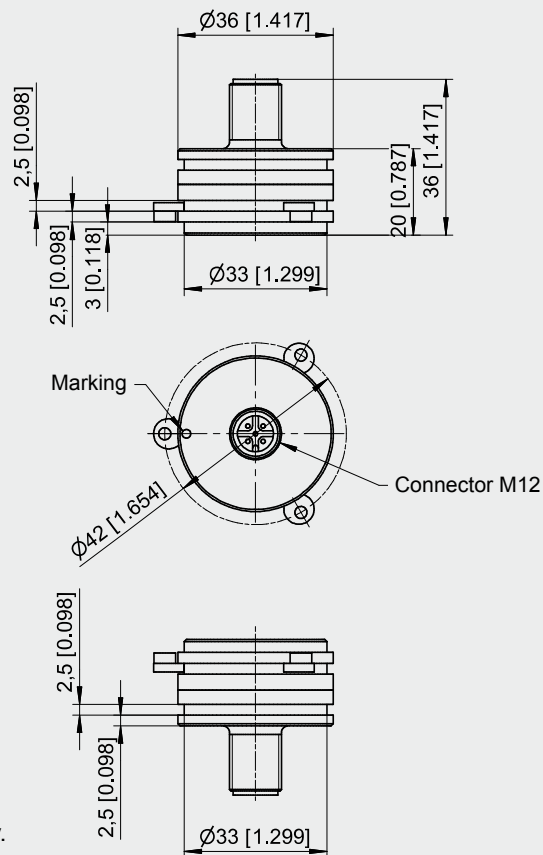
**Outline drawing**  
**M12 radial**



Dimensions in mm [inch]

Dimensions informative only.  
 For guaranteed dimensions consult factory.

**Outline drawing**  
**M12 axial**



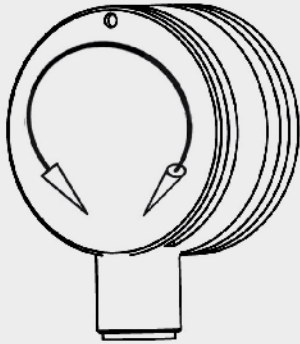
Dimensions in mm [inch]

Dimensions informative only.  
 For guaranteed dimensions consult factory.

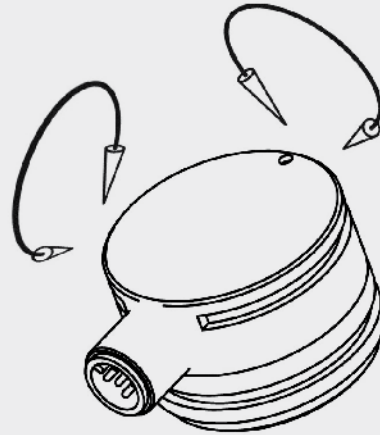
**POSITILT®  
PTAM2  
Inclinometer**



Orientation of the  
inclination axes



**1 axis**



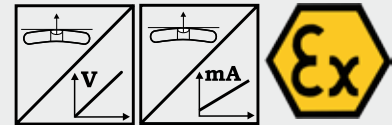
**2 axes**

**POSITILT®**  
**PTAM2EX - Dust EX-proof**  
**Robust Inclinometer with Analog Output**



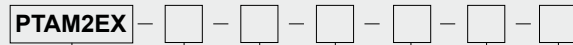
**Analog Inclinometer for 1 axis or 2 axes in MEMS technology**

- Measurement range  $\pm 180^\circ$  for 1 axis or  $\pm 60^\circ$  for 2 axes
- Protection class IP65
- Analog output linear
- Stainless steel housing
- Wear free, high resolution
- High shock resistance
- Servo flange mounting
- Dust EX-proof: II 3D Ex tD A22 IP65 T80°C X



<b>Specifications</b>	Output	U2	Voltage 0.5 ... 10 V / $U_B = 18 \dots 36$ V
		U8	Voltage 0.5 ... 4.5 V / $U_B = 10 \dots 36$ V
		I1	Current 4 ... 20 mA / $U_B = 18 \dots 36$ V, 10 ... 36 V
	Measurement range		$\pm 15^\circ \dots \pm 180^\circ$ for 1 axis or $\pm 60^\circ$ for 2 axes
	Resolution		0.05°
	Linearity		$\pm 0.5^\circ$
	Settling time		0.1 s ... 10 s / 90 %, configurable
	Protection class		IP65
	Material		Stainless steel
	Connection		5 pin connector M12 axial or radial
Shock (non-operational)		EN60068-2-27:1993, 100 g/11 ms, 100 shocks	
Vibration (non-operational)		EN60068-2-6:1995, 20 g/10 Hz-2 kHz, 10 cycles	
Temperature		-4 to +104°F	
Dust-Ex-proof standard		DIN EN61241-0, DIN EN61241-1	

**Order code PTAM2EX**



**Model name**

**Axis of inclination**

- 1 = Inclination in X axis (mounting X)  $\leq \pm 180^\circ$
- 2 = Inclination in X and Y axis (mounting XY)  $\leq \pm 60^\circ$

**Measuring range [in °]**

- 15 ... 180 =  $\pm 15^\circ \dots \pm 180^\circ$  in 15° increments

**Output**

- U2 = 0.5 ... 10 V
- U8 = 0.5 ... 4.5 V
- I1 = 4 ... 20 mA

**Characteristic**

- CW = Increasing signal for CW inclination
- CCW = Increasing signal for CCW inclination

**Output delay 0 ... 90 %**

- Tx.x = 0.1 s ... 10 s

**Connection**

- M12R5 = 5-pin socket M12, radial (compatible with 4 pin mating connector)
- M12A5 = 5-pin socket M12, axial (compatible with 4 pin mating connector)

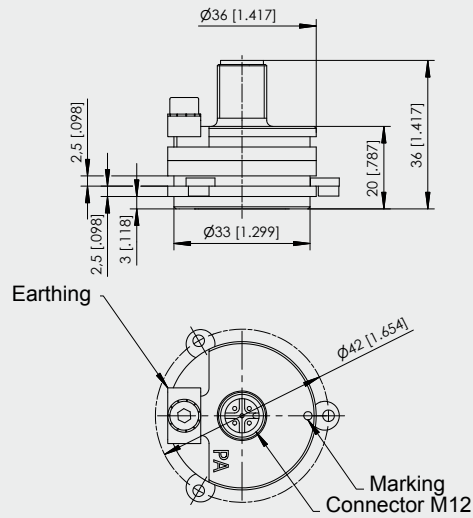
Dust-Ex-proof explanation (see page 55)

**Order example: PTAM2EX - 1 - 180 - I1 - CW - T1.0 - M12R5**

**POSITILT®**  
**PTAM2EX - Dust-EX-proof**  
**Dimensions**

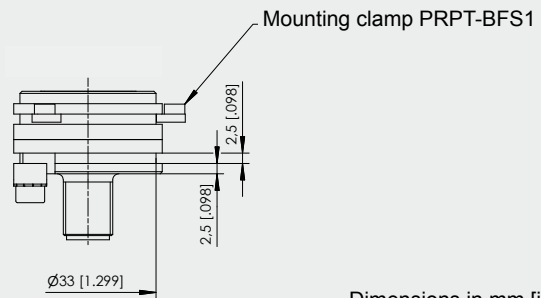


**Outline drawing**  
**Sensor with**  
**connector M12, axial**



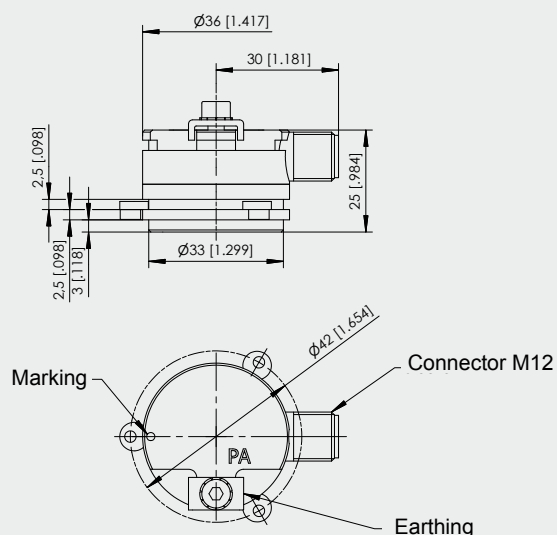
Consult factory for availability.

Weight without cable 50 g (1.76 oz.) approx.  
 Dimensions informative only.  
 For guaranteed dimensions please consult factory.



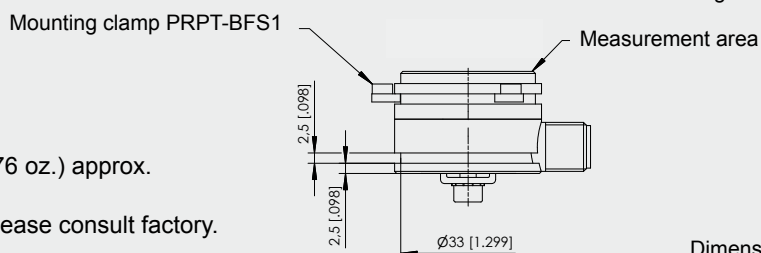
Dimensions in mm [inch]

**Outline drawing**  
**Sensor with**  
**connector M12,**  
**radial**



Consult factory for availability.

Weight without cable 50 g (1.76 oz.) approx.  
 Dimensions informative only.  
 For guaranteed dimensions please consult factory.

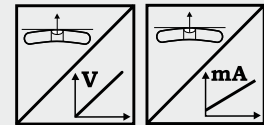


Dimensions in mm [inch]



**Analog Inclinometer for 1 axis or 2 axes in MEMS technology**

- Measurement range  $\pm 180^\circ$  for 1 axis or  $\pm 60^\circ$  for 2 axes
- Protection class IP67 / IP69K, optional IP68\*
- Analog output linear
- Stainless steel housing
- Wear free, high resolution
- High shock resistance
- Seawater proof
- Suitable for use on ocean-going vessels



\* Depth and duration of immersion must be specified!

Specifications	Output	U2	Voltage 0.5 ... 10 V / $U_B = 18 \dots 36$ V
			U8
		I1	Current 4 ... 20 mA / $U_B = 18 \dots 36$ V, 10 ... 36 V
Measurement range	$\pm 180^\circ$ for 1 axis or $\pm 60^\circ$ for 2 axes		
Resolution	0.05°		
Linearity	$\pm 0.5^\circ$		
Settling time	0.1 s ... 10 s / 90 %, configurable		
Protection class	IP67/IP69K (connector output with IP69K connector cable), IP68* optional		
Material	Stainless steel		
Mounting	Screws M8		
Connection	5 pin connector M12 axial or radial		
Shock (non-operational)	EN60068-2-27:1993, 100 g/11 ms, 100 shocks		
Vibration (non-operational)	EN60068-2-6:1995, 20 g/10 Hz-2 kHz, 10 cycles		
EMC, temperature	Refer to output specification		

**Order code PTAM5**



**Model name**

**Number of axes**

- 1 = Inclination in X axis (mounting X)  $\leq \pm 180^\circ$
- 2 = Inclination in X and Y axis (mounting XY)  $\leq \pm 60^\circ$

**Measuring range [in °]**

15 ... 180 =  $\pm 15^\circ \dots \pm 180^\circ$  in 15° increments

**Output**

- U2 = 0.5 ... 10 V
- U8 = 0.5 ... 4.5 V
- I1 = 4 ... 20 mA

**Characteristic**

- CW = Increasing signal for CW inclination
- CCW = Increasing signal for CCW inclination

**Output delay 0 ... 90 %**

Tx.x = 0.1 s ... 10 s

**Connection**

- M12R5 = 5-pin socket M12, radial (compatible with 4 pin mating connector)
- M12A5 = 5-pin socket M12, axial (compatible with 4 pin mating connector)

Order code connector cable (see accessories page 90)

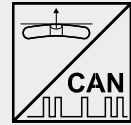
**KAB-...M-M12/4F/G-LITZE**

**Order example: PTAM5 - 1 - 180 - I1 - CW - T1.0 - M12R5**



**Digital Inclinometer for 1 axis or 2 axes in MEMS technology**

- Measurement range ±180° for 1 axis or ±60° for 2 axes
- Protection class IP67 / IP69K, optional IP68\*
- CANopen output
- Stainless steel housing
- Wear free, high resolution
- High shock resistance
- Seawater proof
- Suitable for use on ocean-going vessels



\* Depth and duration of immersion must be specified!

Specifications		
Output		CANopen bus (profile „Inclinometer“)
Measurement range		±180° for 1 axis or ±60° for 2 axes
Resolution		0.05 °
Linearity		±0.5°
Settling time		0.1 s ... 10 s / 90%, configurable
Protection class		IP67/IP69K (connector output with IP69K connector cable), IP68* optional
Material		Stainless steel
Mounting		Screws M8
Connection		5 pin connector M12 axial or radial
Shock (non-operational)		EN60068-2-27:1993, 100 g/11 ms, 100 shocks
Vibration (non-operational)		EN60068-2-6:1995, 20 g/10 Hz-2 kHz, 10 cycles
EMC, temperature		Refer to output specification

**Order code PTDM5**

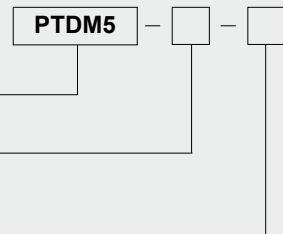
**Model name**

**Output**

- CANOP = CANopen
- CANJ1939 = CAN SAE J1939

**Connection**

- M12R5/CAN = 5-pin socket M12, radial
- M12A5/CAN = 5-pin socket M12, axial



Order code connector cable (see accessories page 91)

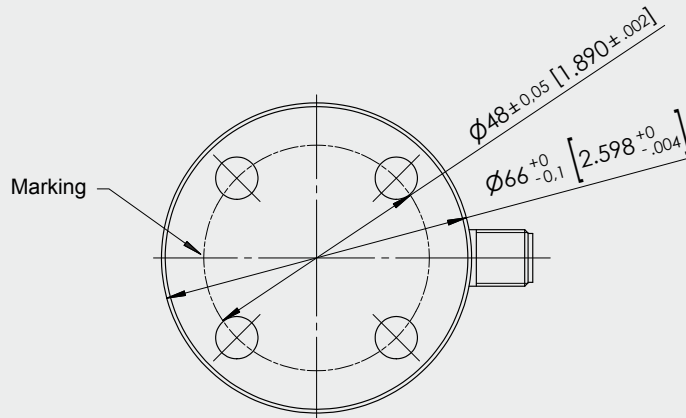
**KAB - XM - M12/5F/G - M12/5M/G - CAN**

**Order example: PTDM5 - CANOP - M12R5/CAN**

**POSITILT®**  
**PTAM5/PTDM5**  
**Dimensions**

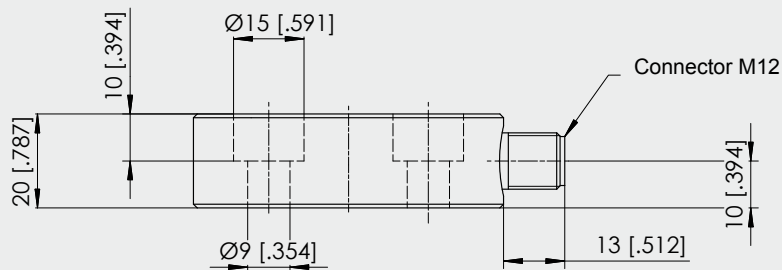


**Outline drawing**  
**M12 radial**

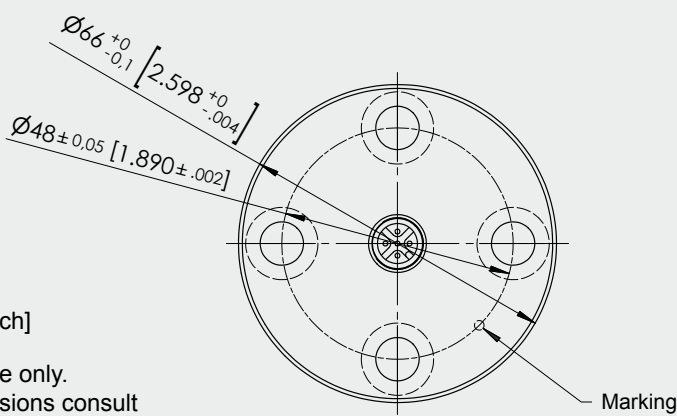


Dimensions in mm [inch]

Dimensions informative only.  
 For guaranteed dimensions consult  
 factory.

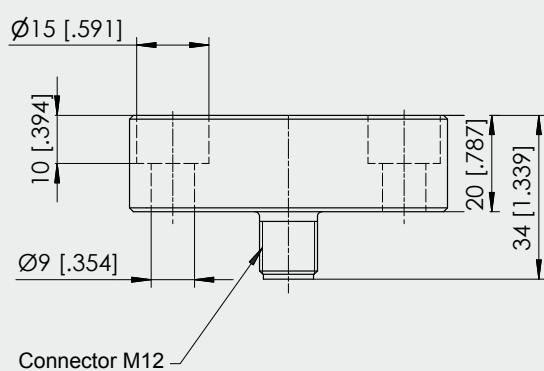


**Outline drawing**  
**M12 axial**



Dimensions in mm [inch]

Dimensions informative only.  
 For guaranteed dimensions consult  
 factory.

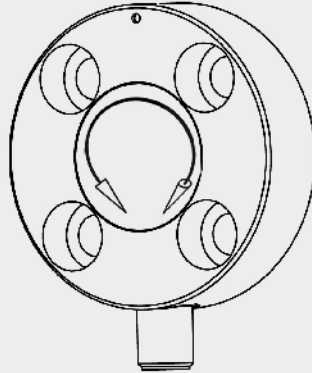




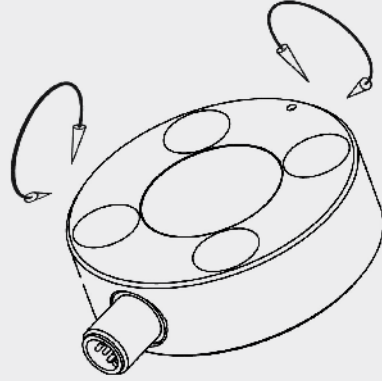
**POSITILT®**  
**PTAM5/PTDM5**  
**Dimensions**



Orientation of the  
inclination axes



**1 axis**

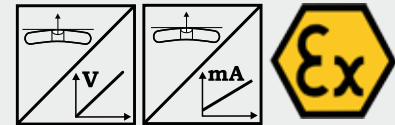


**2 axes**



**Analog Inclinometer with 1 or 2 axes in MEMS technology**

- Measurement range  $\pm 180^\circ$  for 1 axis or  $\pm 60^\circ$  for 2 axes
- Protection class IP65
- Analog output linear
- Stainless steel housing
- Wear free, high resolution
- High shock resistance
- Seawater proof, suitable for use on ocean-going vessels
- Dust EX-proof: II 3D Ex tD A22 IP65 T80°C X



<b>Specifications</b>	Output	U2	Voltage 0.5 ... 10 V / $U_B = 18 \dots 36$ V
		U8	Voltage 0.5 ... 4.5 V / $U_B = 10 \dots 36$ V
		I1	Current 4 ... 20 mA / $U_B = 18 \dots 36$ V, 10 ... 36 V
	Measurement range		$\pm 15^\circ \dots \pm 180^\circ$ for 1 axis or $\pm 60^\circ$ for 2 axes
	Resolution		0.05°
	Linearity		0.5°
	Settling time		0.1 s ... 10 s / 90 %, configurable
	Protection class		IP65
	Material		Stainless steel
	Connection		5 pin connector M12 axial or radial
	Shock (non-operational)		EN60068-2-27:1993, 100 g/11 ms, 100 shocks
	Vibration (non-operational)		EN60068-2-6:1995, 20 g/10 Hz-2 kHz, 10 cycles
	Temperature		-4 to +104°F
	Dust-Ex-proof standard		DIN EN61241-0, DIN EN61241-1

**Order code PTAM5EX**

PTAM5EX - [ ] - [ ] - [ ] - [ ] - [ ] - [ ]

**Model name**

**Axis of inclination**

- 1 = Inclination in X axis (mounting X)  $\leq \pm 180^\circ$
- 2 = Inclination in X and Y axis (mounting XY)  $\leq \pm 60^\circ$

**Measuring range [in °]**

- 15 ... 180 =  $\pm 15^\circ \dots \pm 180^\circ$  in 15° increments

**Output**

- U2 = 0.5 ... 10 V
- U8 = 0.5 ... 4.5 V
- I1 = 4 ... 20 mA

**Characteristic**

- CW = Increasing signal for CW inclination
- CCW = Increasing signal for CCW inclination

**Output delay 0 ... 90 %**

- Tx.x = 0.1 s ... 10 s

**Connection**

- M12R5 = 5-pin socket M12, radial (compatible with 4 pin mating connector)
- M12A5 = 5-pin socket M12, axial (compatible with 4 pin mating connector)

Dust-Ex-proof explanation (see page 55)

**Order example: PTAM5EX - 1 - 180 - I1 - CW - T1.0 - M12R5**

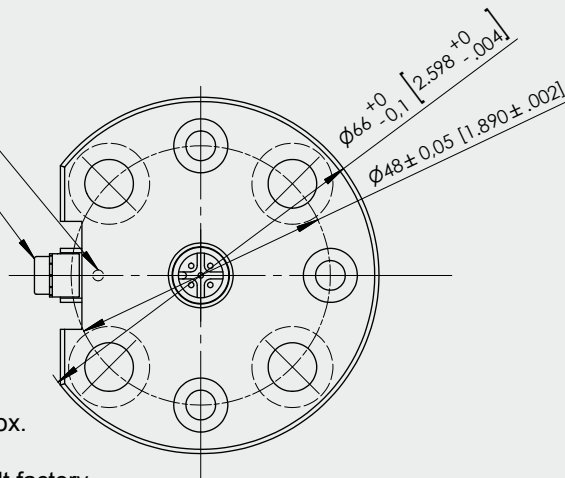
**POSITILT®**  
**PTAM5EX - Dust-EX-proof**  
**Dimensions**



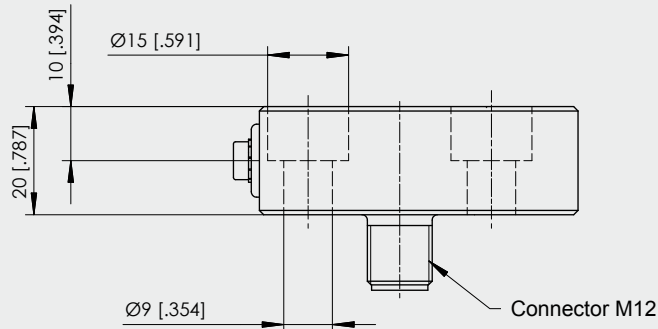
**Outline drawing**  
**Sensor with**  
**connector M12, axial**

Marking  
 Earthing

Consult factory for availability.



Weight without cable 50 g (1.76 oz.) approx.  
 Dimensions informative only.  
 For guaranteed dimensions please consult factory.

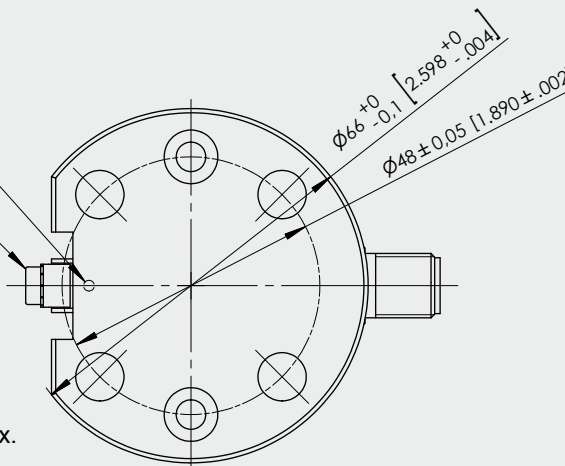


Dimensions in mm [inch]

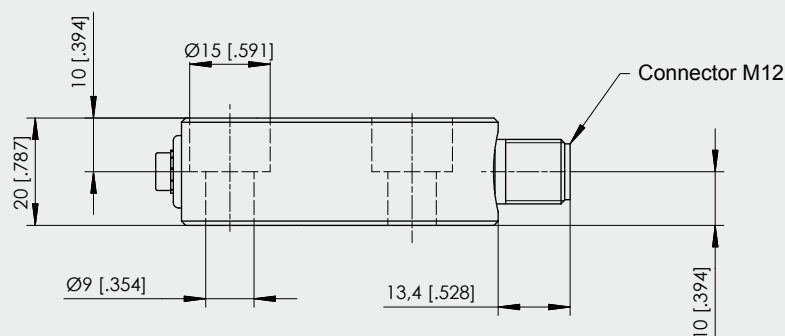
**Outline drawing**  
**Sensor with**  
**connector M12,**  
**radial**

Marking  
 Earthing

Consult factory for availability.



Weight without cable 50 g (1.76 oz.) approx.  
 Dimensions informative only.  
 For guaranteed dimensions please consult factory.

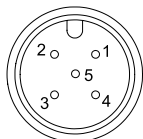


<b>U2</b> Voltage Output 0.5 ... 10 V 	Excitation voltage	18 ... 36 V DC
	Excitation current	12 mA typ., 16 mA max.
	Output voltage	0.5 ... 10 V DC
	Output current	2 mA max.
	Measuring rate	1 kHz standard
	Stability (temperature)	$\pm 100 \times 10^{-6} / ^\circ\text{C}$ f.s. (typ.)
	Operating temperature	-40 ... +85 °C
	Protection EMC	Reverse polarity, short circuit EN61326-1:2006
<b>U6</b> Voltage Output 0.5 ... 4.5 V DC 	Excitation voltage	5V DC $\pm 10\%$
	Excitation current	16 mA typ., 20 mA max.
	Output voltage	0.5 ... 4.5 V DC
	Output current	2 mA max.
	Measuring rate	1 kHz standard
	Stability (temperature)	$\pm 100 \times 10^{-6} / ^\circ\text{C}$ f.s. (typ.)
	Operating temperature	-40 ... +85 °C
	Protection EMC	Reverse polarity, short circuit EN61326-1:2006
<b>U8</b> Voltage output 0.5 ... 4.5 V 	Excitation voltage	10 ... 36 V DC
	Excitation current	12 mA typ., 16 mA max.
	Output voltage	0.5 ... 4.5 V DC
	Output current	2 mA max.
	Measuring rate	1 kHz standard
	Stability (temperature)	$\pm 100 \times 10^{-6} / ^\circ\text{C}$ f.s. (typ.)
	Operating temperature	-40 ... +85 °C
	Protection EMC	Reverse polarity, short circuit EN61326-1:2006
<b>I1</b> Current Output 4 ... 20 mA 	Excitation voltage	18 ... 36 V DC; 10 ... 36 V for R<250Ω
	Excitation current	32 mA typ., 36 mA max..
	Load resistor	500 Ω max.
	Output current	4 ... 20 mA
	Measuring rate	1 kHz standard
	Stability (temperature)	$\pm 100 \times 10^{-6} / ^\circ\text{C}$ f.s. (typ.)
	Operating temperature	-40 ... +85 °C
	Protection EMC	Reverse polarity, short circuit EN61326-1:2006

Other outputs available on request.

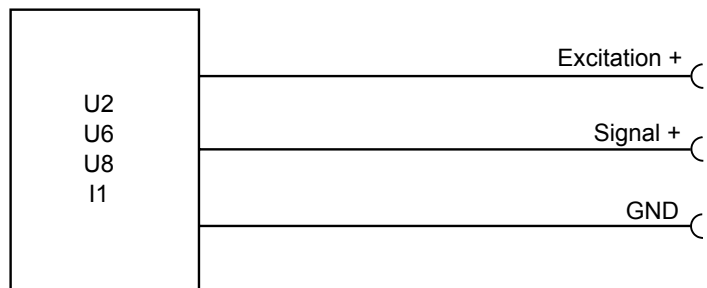
**Output signals**

**Connection**



M12A5 / M12R5

View to sensor connector




Signal Wiring	Output signals	Connector pin	Cable color
	Excitation +	1	Brown
	Output X	2	White
	GND	3	Blue
	Output Y	4	Black
	Do not connect!	5	Gray

**POSITILT<sup>®</sup>**  
**PTDM**  
**Output CANopen**



**Description**                      Inclinometer with CANopen interface according to CiA 410.


<b>Interface CANopen</b> 	Communication profile	CANopen CiA 301 V 4.02, Slave
	Device profile	Encoder CiA 410 V 1.2
	Configuration services	LSS, CiA Draft Standard 305 (transmission rate, node ID)
	Error Control	Node Guarding, Heartbeat, Emergency Message
	Node ID	Adjustable via LSS or via object dictionary, default: 127
	PDO	1 TxPDO, 0 RxPDO, static mapping
	PDO Modes	Event-/Time triggered, Remote-request, Sync cyclic/acyclic
	SDO	1 Server, 0 Client
	Certified	Yes
	Transmission rate	50 kBaud to 1 MBaud, adjustable via LSS or via object dictionary, default: 125 kBaud
	Bus connection	M12 connector, 5 pin
	Integrated bus terminating resistor	Optional
	Bus, galvanic isolation	No

<b>Specifications</b>	Excitation voltage	8 ... 36 V DC
	Excitation current	15/30 mA typical for 24/12 V, 100 mA max.
	Measuring rate	1 kHz standard
	Stability (temperature)	$\pm 100 \times 10^{-6} / ^\circ\text{C}$ f.s.
	Repeatability	1 LSB
	Operating temperature	-40 ... +85 °C
	Protection	Reverse polarity, short circuit
	EMC	EN61326-1:2006

**POSITILT<sup>®</sup>**  
**PTDM**  
**Output CAN SAE J1939**



**Description**                      Inclinometer according to standard SAE J1939. Configuration of operating parameters by proprietary-A-Message (peer-to-peer connection). Process data exchange by proprietary-B-Message (broadcast).

<b>Interface J1939</b> 	CAN specification	ISO 11898, Basic and Full CAN 2.0 B
	Transceiver	24V-compliant, not isolated
	Communication profile	SAE J1939
	Baud rate	250 kbit/s
	Internal termination resistor	120 Ω
	Address	Default 247d, configurable

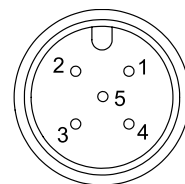
<b>NAME Fields</b>	Arbitrary address capable	1	Yes
	Industry group	0	Global
	Vehicle system	7Fh (127d)	Non specific
	Vehicle system instance	0	
	Function	FFh (255d)	Non specific
	Function instance	0	
	ECU instance	0	
	Manufacturer	145h (325d)	Manufacturer ID
	Identity number	0nnn	Serial number 21 bit

<b>Parameter Group Numbers (PGN)</b>	Configuration data	PGN EF00h	Proprietary-A (PDU1 peer-to-peer)
	Process data	PGN FFnnh	Proprietary-B (PDU2 broadcast); nn Group Extension (PS) configurable

<b>Specifications</b>	Excitation voltage	8 ... 36 V DC
	Excitation current	15/30 mA typical for 24/12 V, 100 mA max.
	Measuring rate	1 kHz standard
	Stability (temperature)	±100 x 10 <sup>-6</sup> / °C f.s.
	Repeatability	1 LSB
	Operating temperature	-40 ... +85 °C
	Protection	Reverse polarity, short circuit
	EMC	EN61326-1:2006

<b>Signal wiring / connection</b>	<b>Signal name</b>	<b>Connector pin</b>
	Shield	1
	Excitation +	2
	GND	3
	CAN-H	4
	CAN-L	5

View to sensor connector

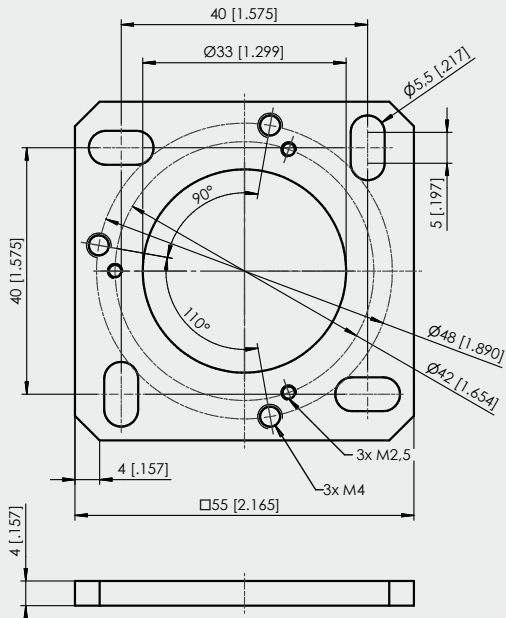


# POSITILT® Accessories Mounting Plates



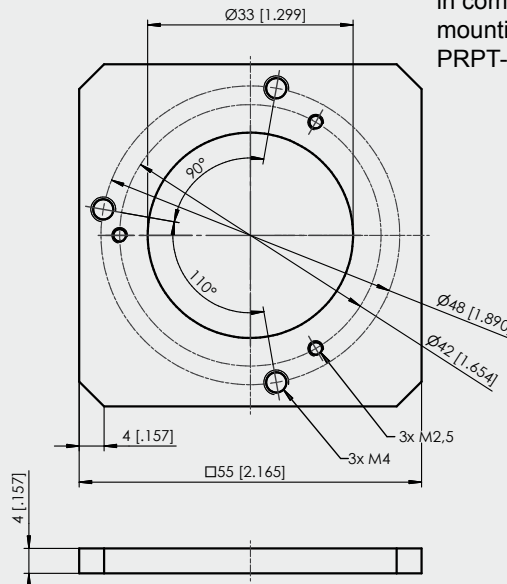
## PRPT-BPL1

(screw mounting)  
For PTAM2 / PTDM2



## PRPT-BPL2

(welding assembly)  
For PTAM2 / PTDM2



In combination with the  
mounting clamps  
PRPT-BFS1 (3 x M2.5)  
or  
in combination with the  
mounting brackets  
PRPT-BFS2 (3 x M4)

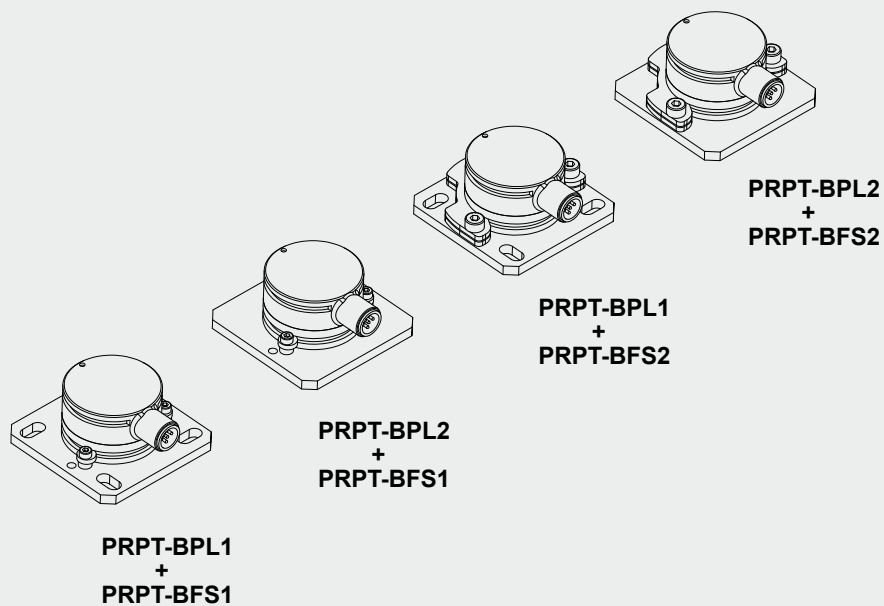
Dimensions in mm [inch]

Weight 30 g (1.06 oz.) approx.

Dimensions informative only.

For guaranteed dimensions please consult factory.

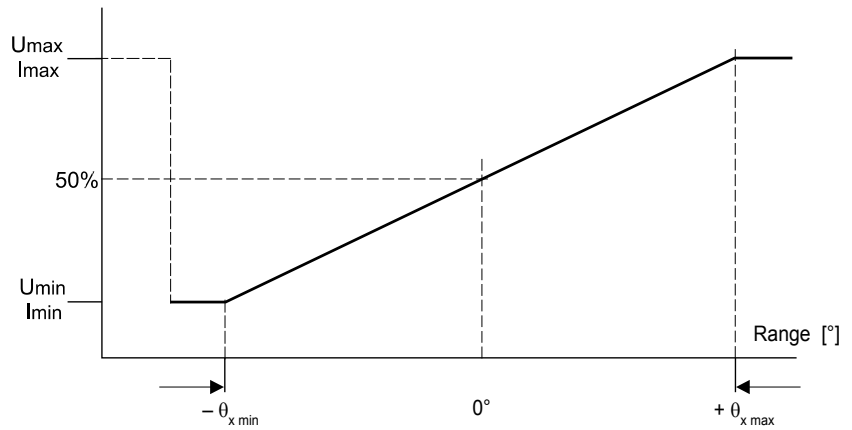
## Mounting possibilities PTAM2/PTDM2



**POSITILT<sup>®</sup>**  
**PTAM/PTDM**  
**Characteristic of the linear output**

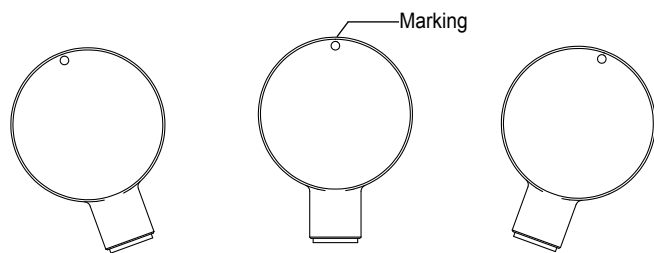


**Output signal**



**PTAM2/PTDM2**

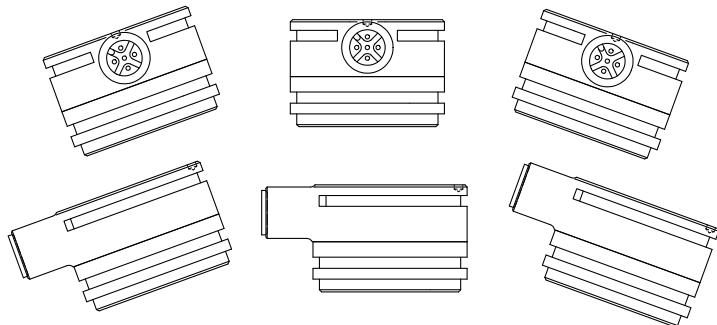
Radial, 1 axis



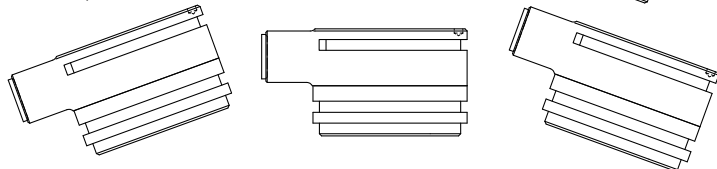
**PTAM2/PTDM2**

Radial, 2 axes

**X**

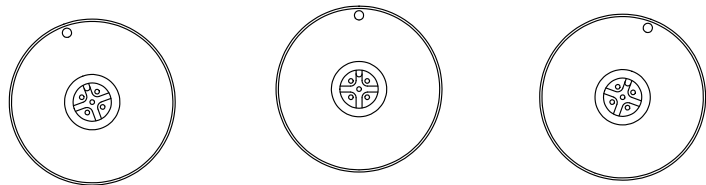


**Y**



**PTAM2/PTDM2**

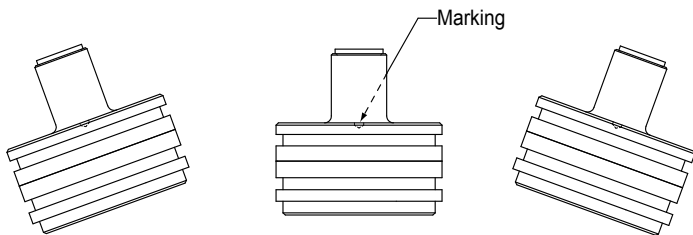
Axial, 1 axis



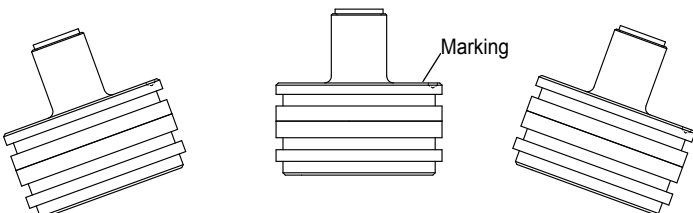
**PTAM2/PTDM2**

Axial, 2 axes

**X**



**Y**

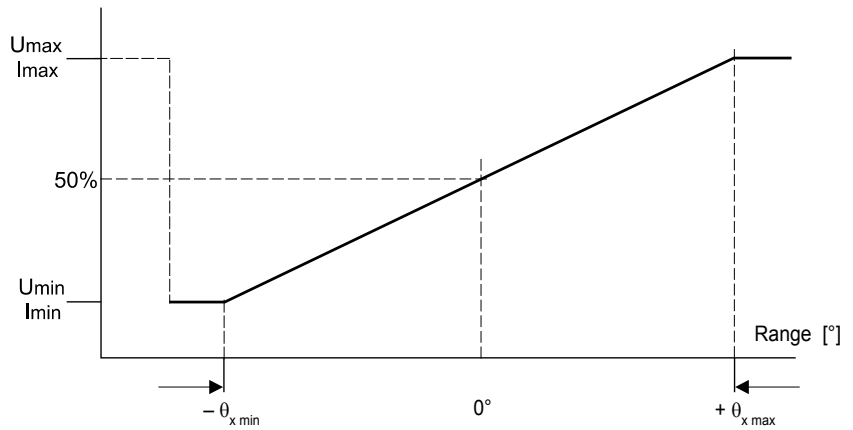




**POSITILT<sup>®</sup>**  
**PTAM/PTDM**  
**Characteristic of the linear output**

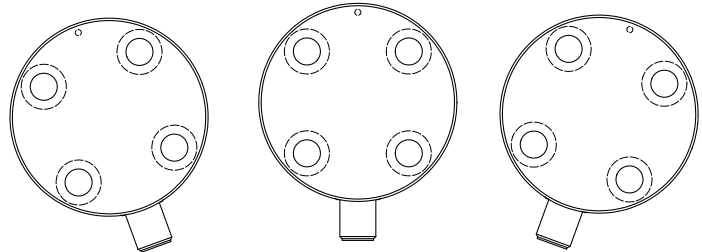


**Output signal**



**PTAM5/PTDM5**

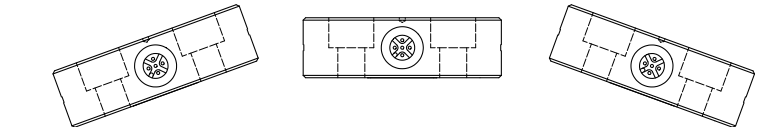
1 axis



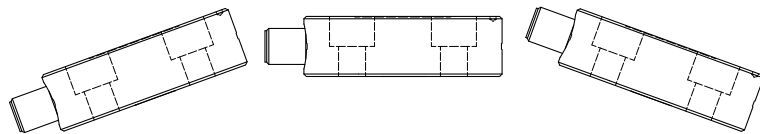
**PTAM5/PTDM5**

2 axes

**X**

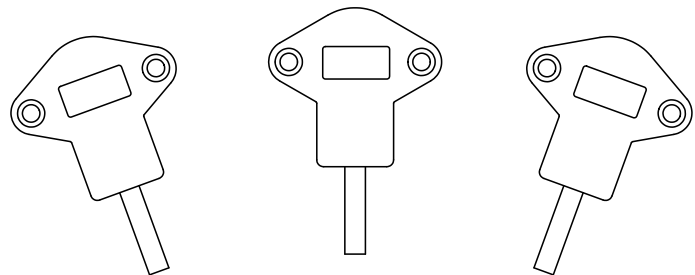


**Y**



**PTAM27/PTDM27**

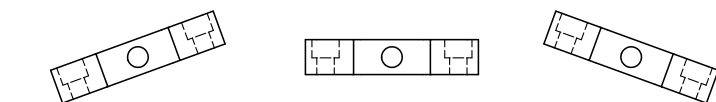
1 axis



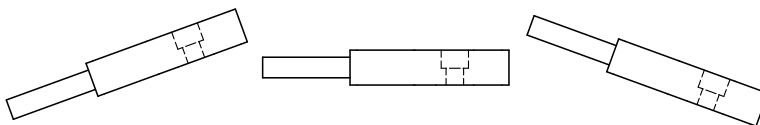
**PTAM27/PTDM27**

2 axes

**X**



**Y**





**Connector cable for POSIROT®-POSITILT® sensors**  
4 pins M12

Suitable for 5-pin sensor connectors M12A5 and M12R5

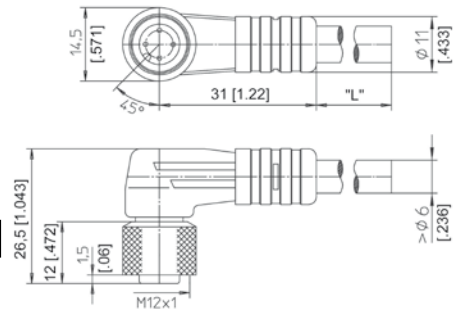
The 4-core screened cable is supplied with a mating 4-pin 90° M12 connector at one end and 4 wires at the other end. Available lengths are 6.6 ft. (2 m), 16.4 ft. (5 m) and 32.8 ft. (10 m).

Order code:

**KAB - XM - M12/4F/W - LITZE**

IP69K: **KAB - XM - M12/4F/W/69K - LITZE**

Length in m



**Connector cable for POSIROT®-POSITILT® sensors**  
4 pins M12

Suitable for 5-pin sensor connectors M12A5 and M12R5

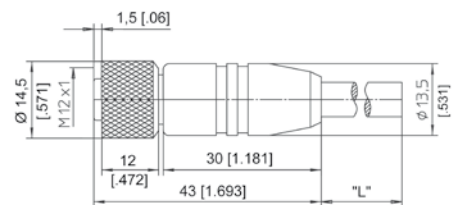
The 4-core screened cable is supplied with a mating 4-pin M12 connector at one end and 4 wires at the other end. Available lengths are 6.6 ft. (2 m), 16.4 ft. (5 m) and 32.8 ft. (10 m).

Order code:

**KAB - XM - M12/4F/G - LITZE**

IP69K: **KAB - XM - M12/4F/G/69K - LITZE**

Length in m



Signal wiring M12, 4 pin	Connector pin / cable color			
	1	2	3	4
	Brown	White	Blue	Black

**Connector cable for POSIROT®-POSITILT® sensors**  
8 pins M12

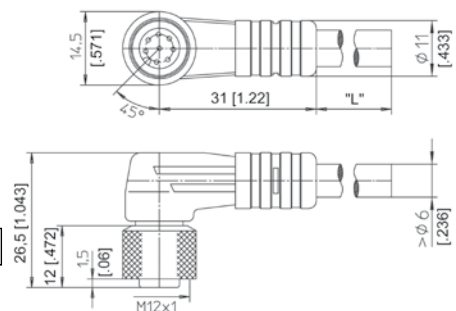
The 8-core screened cable is supplied with a mating 8-pin 90° M12 connector at one end and 8 wires at the other end. Available lengths are 6.6 ft. (2 m), 16.4 ft. (5 m) and 32.8 ft. (10 m).

Order code:

**KAB - XM - M12/8F/W - LITZE**

IP69K: **KAB - XM - M12/8F/W/69K - LITZE**

Length in m



**Connector cable for POSIROT®-POSITILT® sensors**  
8 pins M12

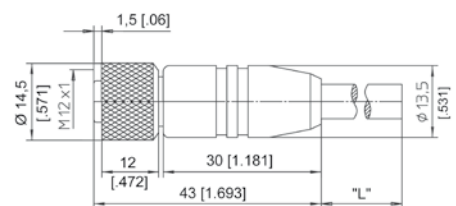
The 8-core screened cable is supplied with a mating 8-pin M12 connector at one end and 8 wires at the other end. Available lengths are 6.6 ft. (2 m), 16.4 ft. (5 m) and 32.8 ft. (10 m).

Order code:

**KAB - XM - M12/8F/G - LITZE**

IP69K: **KAB - XM - M12/8F/G/69K - LITZE**

Length in m

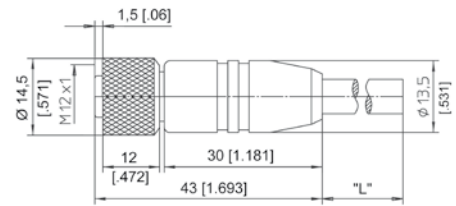


Signal wiring M12, 8 pin	Connector pin / cable color							
	1	2	3	4	5	6	7	8
	White	Brown	Green	Yellow	Grey	Pink	Blue	Red



**Connector/bus cable  
for POSIROT®-  
POSITILT® sensors**  
5 pin M12  
CAN bus

The 5-lead shielded cable is supplied with a female 5-pin M12 connector at one end and a male 5-pin M12 connector at the other end. Available lengths are 2, 5 and 10 m.



Order code:

**KAB - XM - M12/5F/G - M12/5M/G - CAN**

**IP69K: KAB - XM - M12/5F/G/69K - M12/5M/G/69K - CAN**

Length in m

**T-piece for bus cable**  
5 pin M12  
CAN bus

Order code:

**KAB - TCONN - M12/5M - 2M12/5F - CAN**



**Terminating  
resistance**  
5 pin M12  
CAN bus

Order code:

**KAB - RTERM - M12/5M/G - CAN**

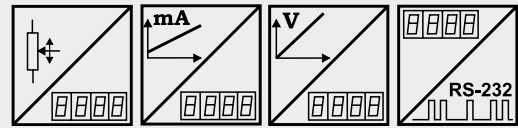


**PRODIS<sup>®</sup>**  
**PD-ADC**  
**Digital process meter for analog sensors**



**For POSIROT<sup>®</sup> and POSITILT<sup>®</sup> sensors with analog outputs**

- Voltage 0 ... 10 V; 0.5 ... 10V; 0.5 ... 4.5 V
- Current 4 ... 20 mA
- Potentiometer (voltage divider)
- Integrated sensor supply (24 V DC)
- 6-digit LED display
- RS-232 interface
- Optional 4 comparator outputs
- Easy programming



**Description**

PRODIS-ADC is designed for use with analog position sensors to display angles and displacements. A high resolution A/D converter processes signals from sensors with voltage output 0 ... 10 V, current output 0/4 ... 20 mA or voltage divider (potentiometer). The meter is programmable to display values within preset start/end range or values in units as inches, mm or degrees. A tare function or programming lock can be activated with two control terminals. Sensor excitation is supplied by the meter. With four membrane keys all parameters can be programmed for the special applications. Optional comparator functions with 4 NPN open-collector outputs are available, additional 2 of them have relay output.

**Specifications**

Display	6-digit, 7-segment LED, height .55 in., decimal point programmable	
Counting rate	1 ... 25/s programmable	
Measurement accuracy	±0.05 % f.s.	
Excitation voltage/current	24 V DC ±10%/150 mA, residual ripple 1% <sub>pp</sub> ; 85-250 V AC, 50-60 Hz/180 mA max.	
Sensor excitation	24 V DC/300 mA, 5 V/10 mA	
Input	Two channels, each for: Voltage 10V; U1; U2; U3; max. 24V Current I1, load 100 Ω, I <sub>max</sub> <30 mA Voltage divider R <sub>min</sub> =500 Ω, 0 ... 5 V One input or the difference between both inputs can be chosen by programming	
Control input	2 control inputs 24 V, active low	
Comparator Output (option)	Relay NPN	250 V AC/5 A, 30 V DC/5 A 24 V max./50 mA to GND
Connection	Terminal strip 12 pole, excitation 3 pole	
Temperature coefficient	±36 x 10 <sup>-6</sup> / °F	
Operating temperature	14 ... +104 °F	
Storage temperature	-4 ... +185 °F	

**Order Code PRODIS-ADC**

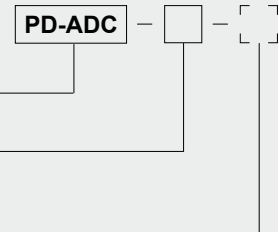
**Model Name**

**Excitation Voltage**

24VDC = 24 V DC  
 230VAC = 85...250 V AC

**Options**

REL2 = Comparator  
 DT = Desktop version



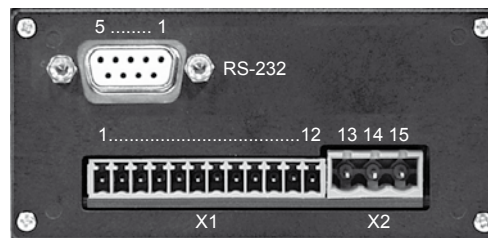
**Order example: PD - ADC - 24VDC - REL2**

**PRODIS®**  
**PD-ADC**  
**Digital process meter for analog sensors**



<b>Specifications</b> (Cont'd)	Weight	24 V DC: approx. 8.8 oz.; 230 V AC: approx. 14.1 oz.	
	Protection class	Front IP60, rear IP40	
	Humidity	Max. 80 % R. H., non condensing	
	Safety of equipment	EN61010:2002-03	
	Electromagnetic compatibility, EMC	EN61326-1:2006	
<b>Programmable parameters / value range</b>	Value range offset, limit values	-999999 to +999999	
	Divisor, multiplier	0 to 999999	
	Other programmable parameters	Decimal point position, display brightness	
	Control input terminals	Key lock, display value hold, tare function	
<b>Wiring basic unit</b>	<b>Signals</b>	<b>Connector X1 pin no.</b>	<b>Connector X2 pin no.</b>
	Sensor excitation +U <sub>B</sub> 24 V	1	
	Sensor excitation 0 V (GND)	2	
	Control input terminal 1	3	
	Control input terminal 2	4	
	Voltage input terminal 0 ... 10 V, channel 1	5	
	Voltage input terminal 0 ... 10 V, channel 2	6	
	Current input terminal 0/4 ... 20 mA, channel 1	7	
	Current input terminal 0/4 ... 20 mA, channel 2	8	
	Voltage divider input terminal R1K, channel 1	9	
	Voltage divider input terminal R1K, channel 2	10	
	Reference voltage output terminal 5 V for R1K	11	
	GND	12	
	PD-ADC-24VDC Excitation +24 V		13
	Excitation 0 V (GND)		14
	PD-ADC-230VAC Excitation		13, 15
Protective ground		14	

Rear view without comparator outputs



<b>RS-232 interface</b>	Level	RS-232: ±8 V, galvanically isolated	
	Data format	1 start bit, 8 data bits, 1 stop bit, no parity	
	Transmission rate	9600 Baud	
	<b>Signals</b>	<b>Connector X3 Pin No.</b>	<b>D-Sub Pin No.</b>
	TxD	17	2
RxD	16	3	
GND	18	5	

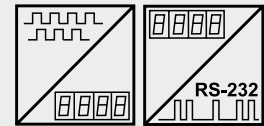
Rear view with comparator outputs and outline drawings see pages 98 and 99.

**PRODIS®**  
**PD-INC**  
**Digital process meter for incremental sensors**



**For POSIROT® sensors with incremental outputs**

- Integrated sensor supply
- Counting rate up to 250 kHz (<1 MHz edge frequency)
- 6-digit LED display
- RS-232 interface
- Optional 4 comparator outputs
- Easy programming



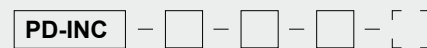
**Description**

PRODIS-INC is designed for use with incremental position sensors to display angles. The fast counter processes 90° phase shifted A,B signals (quadrature signals) for direction and counting information. Sensor excitation is supplied from the meter. With four membrane keys all parameters can be programmed for the special application. A zero signal and a reference signal can be used for calibration of the measurement system. Optional comparator functions with 4 NPN open-collector outputs are available, additional 2 of them have relay output.

**Specifications**

Display	6-digit, 7-segment LED, height .55 in., decimal point programmable
Excitation voltage/current	24 V DC ±10%/150 mA, residual ripple 1% <sub>ss</sub> ; 85-250 V AC, 50-60 Hz/180 mA max.
Counting frequency	250 kHz max., 1 MHz edge frequency
Sensor excitation	24 V DC/300 mA or 5V DC/500 mA
Inputs	A, B, Z, T (reference signal)
Connection	Terminal strip 12-pole, excitation 3-pole
Operating temperature	14 ... +104 °F
Storage temperature	-4 ... +185 °F
Weight	24 V DC: approx. 8.8 oz.; 230 V AC: approx. 14.1 oz.
Protection class	Front IP60, rear IP40
Humidity	Max. 80 % R.H., non condensing
Comparator outputs (option)	Relay NPN 250 V AC/5 A, 30 V DC/5 A 24 V max./50 mA to GND
Safety of equipment	EN61010:2002-03
EMC	EN61326-1:2006

**Order Code PRODIS-INC**



**Model name**

**Excitation voltage**

24VDC = 24 V DC

230VAC = 85...250 V AC

**Sensor excitation voltage**

G24V = 24 V DC

G5V = 5 V DC

**Sensor signal**

HTL = HTL level with excitation voltage G24V

TTL = TTL level with excitation voltage G5V or G24V

**Options**

REL2 = Comparator

DT = Desktop version

**Order example: PD - INC - 24VDC - G24V - HTL - REL2**

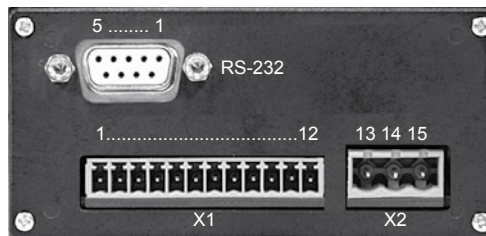
**PRODIS<sup>®</sup>**  
**PD-INC**  
**Digital process meter for incremental sensors**



<b>Programmable parameters / value range</b>	Value range display, offset, limit values	-999999 to +999999
	Divisor, Multiplier	0 to 999999
	Other programmable parameters	Counting direction, decimal point position, last-value memory, Z signal evaluation, display brightness
	Signal T	Manual zero, key lock, display value hold, Z release, relative measurement activation

<b>Wiring basic unit</b>	<b>Signals</b>	<b>Connector X1 pin no.</b>	<b>Connector X2 pin no.</b>
	Sensor +U <sub>B</sub>	1	
	Sensor 0 V (GND)	2	
	Signal A	4	
	Signal $\bar{A}$	5	
	Signal B	6	
	Signal $\bar{B}$	7	
	Signal Z (zero signal)	8	
	Signal $\bar{Z}$ (zero signal)	9	
	Signal T (reference signal)	10	
	Signal $\bar{T}$ (reference signal)	11	
	GND	12	
	PD-INC-24VDC		
	Excitation +24 V		13
	Excitation 0 V (GND)		14
	PD-INC-230VAC		
	Excitation		13, 15
	Protective ground		14

Rear view without comparator outputs



<b>RS-232 interface</b>	Level	RS-232: ±8 V, galvanically isolated	
	Data format	1 start bit, 8 data bits, 1 stop bit, no parity	
	Transmission rate	4800 / 9600 / ... / 115200 Baud	
	<b>Signals</b>	<b>Connector X3 Pin No.</b>	<b>D-Sub Pin No.</b>
	TxD	17	2
RxD	16	3	
GND	18	5	

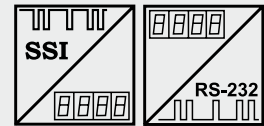
Rear view with comparator outputs and outline drawings see pages 98 and 99.

**PRODIS®**  
**PD-SSI**  
**Digital process meter for sensors with SSI output**



**For POSIROT® sensors with SSI output**

- Integrated sensor supply
- 6-digit LED display
- RS-232 interface
- Easy programming



PRODIS-SSI is designed for use with SSI position sensors to display angle and displacement. Via the CLOCK lines, a sequence of pulses will be transmitted, the input DATA lines will read the sensor's serial bit sequence. The meter is programmable to display values within preset start/end range or values in units as inches, mm or degrees. A tare function or programming lock can be activated with two control terminals.

Sensor excitation is supplied by the meter. With four membrane keys, all parameters can be programmed for the special applications.

<b>Specifications</b>	Display	6-digit, 7-segment LED, .55 in. high, decimal point programmable
	Sampling rate	100/s
	Excitation voltage/current	24 V DC $\pm 10\%$ /150 mA, residual ripple 1% <sub>pp</sub> ; 85-250 V AC, 50-60 Hz/180 mA max.
	Sensor excitation	24 V DC/200 mA or 5 V DC/200 mA
	Inputs	DATA, $\overline{\text{DATA}}$ (RS-422)
	Outputs	CLOCK, $\overline{\text{CLOCK}}$ (RS-422)
	Control inputs	2 control inputs 24 V, active low
	Connection	Terminal strip 12-pole, excitation 3-pole
	Operating temperature	14 ... +104 °F
	Storage temperature	-4 ... +185 °F
	Weight	24 V DC: approx. 8.8 oz.; 230 V AC: approx. 14.1 oz.

**Order Code PRODIS-SSI**

**Model name**

**Excitation Voltage**

24VDC = 24 V DC

230VAC = 85...250 V AC

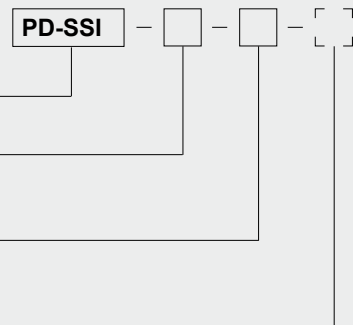
**Sensor Excitation**

G24V = 24 V DC

G5V = 5 V DC

**Options**

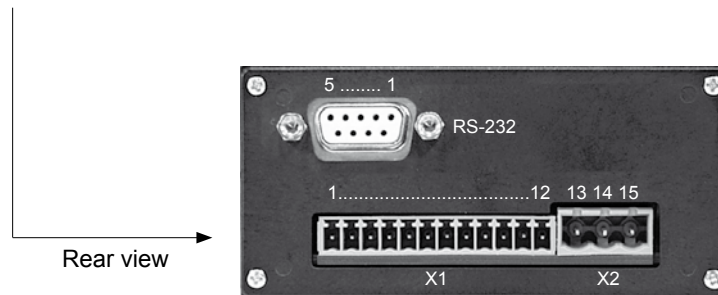
DT = Desktop version



**Order example: PD - SSI - 230VAC - G5V**



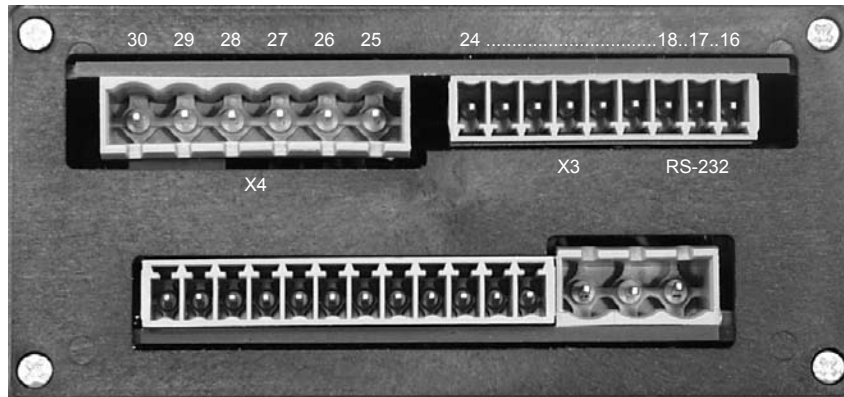
<b>Specifications</b> (continuation)	Protection class	Front IP60, back IP40	
	Humidity	Max. 80 % r.h., non condensing	
	Safety of equipment	DIN EN61010:2002-03	
	Electromagnetic compatibility, EMC	EN61326-1:2006	
<b>Programmable Parameters / Value range</b>	Value range offset, limit values	-999999 to +999999	
	Divisor, multiplier	0 to 999999	
	Other programmable parameters	Decimal point position, display brightness	
	Programmable SSI parameters	Gray/dual code, sign, sampling rate, data format	
	Control inputs	Key lock, display value hold, tare function	
<b>Wiring basic unit</b>	<b>Signals</b>	<b>Connector X1 pin no.</b>	<b>Connector X2 pin no.</b>
	Sensor excitation +U <sub>B</sub> (24 V or 5 V)	1	
	Sensor excitation 0 V (GND)	2	
	Control input 1: tare function	3	
	Control input 2: programming lock	4	
	Not used	5 / 6	
	Output CLOCK	7	
	Output $\overline{\text{CLOCK}}$	8	
	Input DATA	9	
	Input $\overline{\text{DATA}}$	10	
	Do not connect!	11	
	GND	12	
	PD-SSI-24VDC Excitation +24 V		13
	Excitation 0 V (GND)		14
	PD-SSI-230VAC Excitation		13, 15
Protective ground		14	



<b>RS-232 interface</b>	Level	RS-232: ±8 V, galvanically isolated	
	Data format	1 start bit, 8 data bits, 1 stop bit, no parity	
	Transmission rate	9600 Baud	
	<b>Signals</b>	<b>Connector X3 pin no.</b>	<b>D-Sub pin no.</b>
	TxD	17	2
RxD	16	3	
GND	18	5	

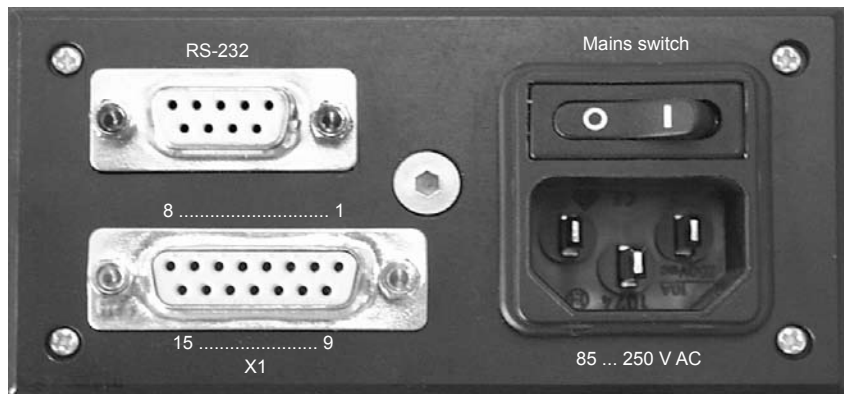
Outline drawings see page 99.

Rear view with comparator outputs



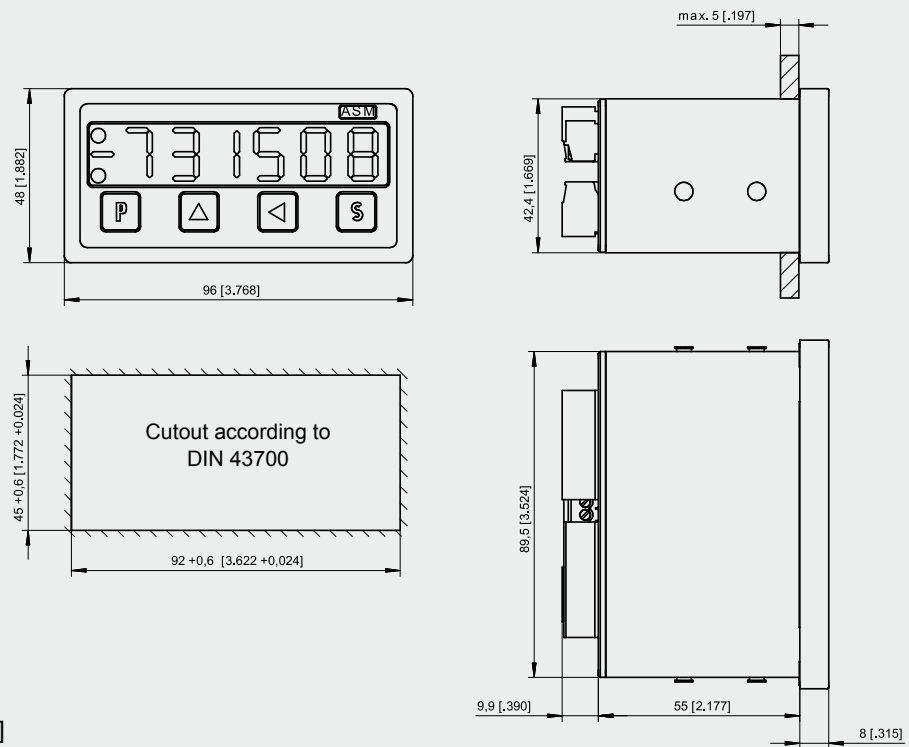
Comparator function (option)	Comparator	Comparator output	Relay	Connector X4 pin no.	LED
	NPN Collector	Connector X3 pin no.			
Comparator 1	NPN1	20	Relay 1 NO NC Common	25 27 26	LED1
	NPN2	21	Relay 2 NO NC Common	28 30 29	LED2
Comparator 3	NPN3	22			
Comparator 4	NPN4	23			
	NPN GND	24			
	NPN U <sub>B</sub> (+24V)	19			

Desktop version (option)



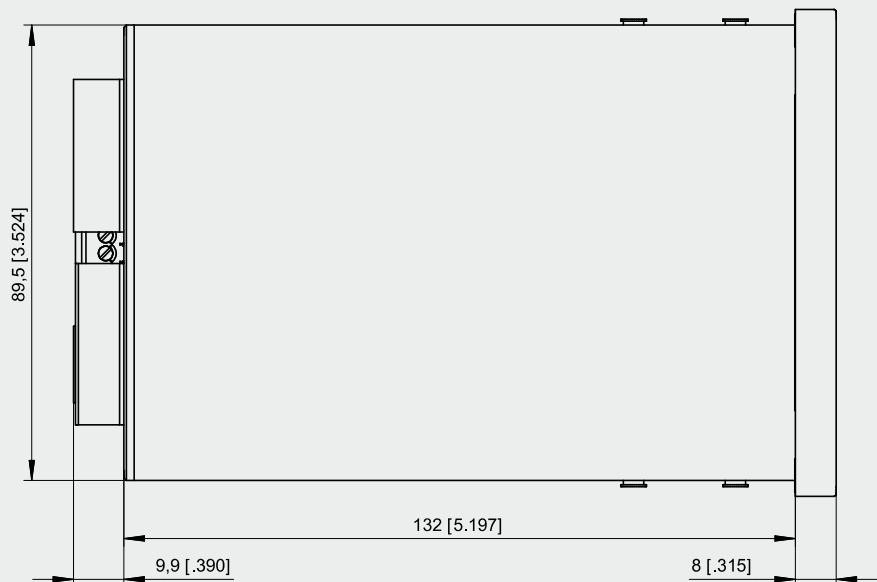
Wiring of connector X1 see table at page 93 (PD-ADC), page 95 (PD-INC) resp. page 97 (PD-SSI).

**Outline drawing**



Dimensions in mm [inch]

PD-XXX-24VDC



Dimensions in mm [inch]

PD-XXX-230VAC

Dimensions informative only.  
For guaranteed dimensions please consult factory.

## The Company and the Products

ASM is a leading company in the development and production of linear and angular position sensors. ASM sensors are used in industrial and commercial applications, where angle, inclination, displacement or position measurements are used to automate, test or monitor processes.

### Innovative Technologies that Solve Your Measuring Requirements

Our product range consists of various technologies to measure linear and rotative positions. With over 25 years of experience in the position sensor market, ASM offers innovative solutions for the most demanding applications.

### ASM Products Represent Quality and Reliability

The quality and precision of our products ensures consistent productivity. Our continuous research and development in our laboratories as well as our DIN EN 9001:2000 certified quality management system guarantees these high standards.

### ASM – Global Supplier of Position Sensors

ASM products are sold world-wide through sales offices, subsidiaries and a network of 50 distributors. With this global presence we ensure being close to our customers and provide quick product availability wherever ASM sensors are needed.



### The product range

- POSIROT® Magnetic Angle Sensors / Encoders
- POSITILT® Inclinometers
- POSIWIRE® Cable Actuated Position Sensors WS
- POSITAPE® Tape Actuated Position Sensors WB
- POSICHRON® Magnetostrictive Position Sensors
- POSIMAG® Magnetic Scale Position Sensors
- PRODIS® Digital Process Meters





**ASM**  
perfect in sensors.

**POSIWIRE®**

Cable Extension  
Position Sensors WS




**ASM**  
perfect in sensors.

**POSITAPE®**

Tape Extension  
Position Sensors

Ultra Compact Design

Heavy Duty Models

Large Measurement Ranges





**ASM**  
perfect in sensors.

**POSICHRON®**

Round Profile Design

Square Profile Design &  
Flat Profile Design


Rod Style Design

**ASM**  
perfect in sensors.

**POSIMAG®**

Magnetic Scale Position Sensors



- I would like to be contacted by an ASM rep
- Please send me detailed information/catalog on the following products:
    - POSIWIRE® Cable Extension Position Sensors
    - POSITAPE® Tape Extension Position Sensors
    - POSICHRON® Magnetostrictive Position Sensors
    - POSIMAG® Magnetic Scale Position Sensors

**Fax +1-(630)-832 3204**

Company: \_\_\_\_\_

Mr./Ms.: \_\_\_\_\_

Department: \_\_\_\_\_

Street: \_\_\_\_\_

City: \_\_\_\_\_

Tel. / Fax: \_\_\_\_\_

e-mail: \_\_\_\_\_

Website: \_\_\_\_\_

# Protection classes according to EN 60529



2 <sup>nd</sup> char. numeral: Protection against ingress of water  1 <sup>st</sup> char. numeral: Protection against solid foreign objects									
Protection against ...	Non protected	Falling water drops vertical / 15°	Spraying water	Splashing water	Water jets	Powerful water jets	Temporary immersion	Continuous Immersion	
IEC 529 DIN 40050	IP .. 0	IP .. 1	IP .. 2	IP .. 3	IP .. 4	IP .. 5	IP .. 6	IP .. 8	
 IP 0 .. Non protected	IP 00								
 IP 1 .. Solid foreign objects diameter ≥ 50 mm	IP 10	IP 11	IP 12						
 IP 2 .. Solid foreign objects diameter ≥ 12,5 mm	IP 20	IP 21	IP 22	IP 23					
 IP 3 .. Solid foreign objects diameter ≥ 2,5 mm	IP 30	IP 31	IP 32	IP 33	IP 34				
 IP 4 .. Solid foreign objects diameter ≥ 1 mm	IP 40	IP 41	IP 42	IP 43	IP 44				
 IP 5 .. Dust-protected	IP 50		IP 52	IP 53	IP 54	IP 55	IP 56		
 IP 6 .. Dust-tight	IP 60				IP 64	IP 65	IP 66	IP 67	IP 68*

\* Depth and duration of immersion must be specified!

IP69K - Water at high pressure / steam jet cleaning

The information presented in this catalog does not form part of any quotation or contract, is believed to be accurate and reliable and may be changed without notice. No liability will be accepted by ASM for any consequence of its use. Publication thereof does not convey nor imply any license under patent or industrial or intellectual property rights.

Applications that are described herein for any of these products are for illustrative purpose only. ASM makes no representation or warranty that such applications will be suitable for the specified use without further testing or modification.



perfect in sensors.

**ASM Sensors, Inc.**

650 W. Grand Ave., Unit 205  
Elmhurst, IL 60126

**USA**

Tel. +1-(630)-832 3202  
Fax +1-(630)-832 3204  
info@asmsensors.com  
www.asmsensors.com

**ASM GmbH**

Am Bleichbach 18 - 22  
85452 Moosinning

**Germany**

Tel. +49-(0)8123-986-0  
Fax +49-(0)8123-986-500  
info@asm-sensor.de  
www.asm-sensor.de

**ASM Sales Office UK**

Tanyard House, High Street  
Measham, Derbs DE12 7HR

**United Kingdom**

Tel. +44-(0)845-1222-123  
Fax +44-(0)845-1222-124  
uk@asm-sensor.com  
www.asm-sensor.com

**ASM Agence France**

1, rue du Neuland  
67560 Rosheim

**France**

Tel. +33-(0)3-88 49 25 35  
Fax +33-(0)3-88 48 06 23  
france@asm-sensor.com  
www.asm-sensor.com